

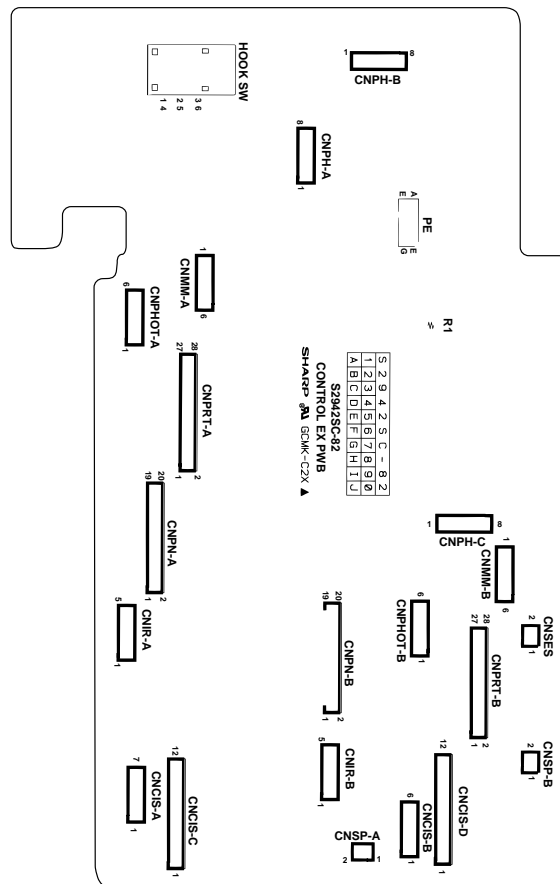
# CHAPTER 8. OTHERS

## [1] Service tools

### 1. List

| NO. | PARTS CODE                | DESCRIPTION                        | Q'TY | PRICE RANK |
|-----|---------------------------|------------------------------------|------|------------|
| 1   | C P W B S 2 9 4 2 S C 0 1 | Extension board unit               | 1    | CE         |
| 2   | P S H E Z 3 3 5 4 S C Z Z | Shading wave memory standard paper | 1    | AD         |

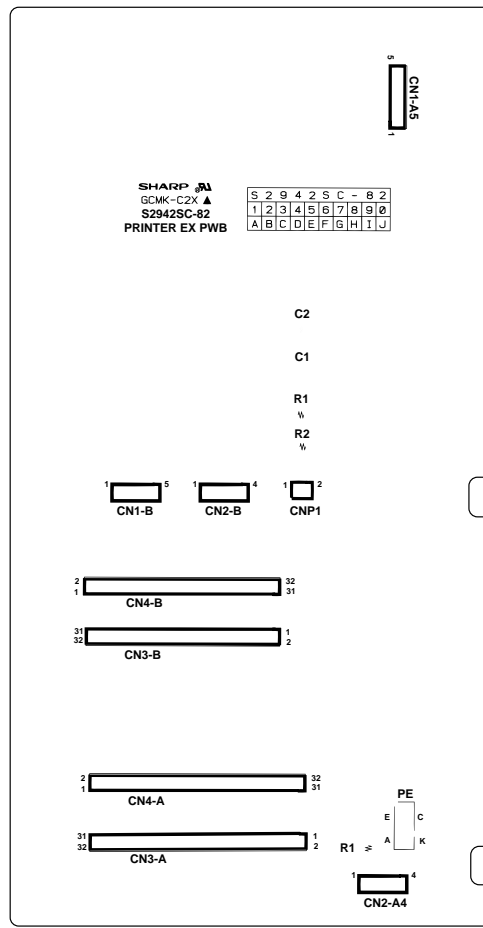
### Extension control board unit



### EXTENSION CONTROL PWB

| NO. | PARTS CODE                | DESCRIPTION                    | Q'TY | PRICE RANK |
|-----|---------------------------|--------------------------------|------|------------|
| 1   | Q C N W - 4 7 9 4 S C Z Z | CABLE [CNSPB ]                 | 1    | AK         |
| 2   | Q C N W - 4 7 9 5 S C Z Z | CABLE [CNIRB]                  | 1    | AM         |
| 3   | Q C N W - 4 7 9 6 S C Z Z | CABLE [CNMMB]                  | 1    | AN         |
| 4   | Q C N W - 4 7 9 7 S C Z Z | CABLE [CNPHOTB]                | 1    | AN         |
| 5   | Q C N W - 4 7 9 8 S C Z Z | CABLE [CNCISB]                 | 1    | AP         |
| 6   | Q C N W - 4 7 9 9 S C Z Z | CABLE [CNPNB]                  | 1    | AX         |
| 7   | Q C N W - 4 8 0 0 S C Z Z | CABLE [CNPRTB]                 | 1    | AZ         |
| 8   | Q C N W - 4 8 0 1 S C Z Z | CABLE [CNSES]                  | 1    | AU         |
| 9   | Q C N C M 2 4 0 1 S C 0 B | CONNECTOR [CNSES]              | 1    | AA         |
| 10  | Q C N C M 2 4 0 1 S C 0 F | CONNECTOR [CNPHOTA,CNPHOTB]    | 2    | AB         |
| 11  | Q C N C M 2 4 8 2 S C 2 J | CONNECTOR [CNPNA,CNPNB]        | 2    | AE         |
| 12  | Q C N C M 2 4 8 2 S C 2 H | CONNECTOR [CNPRTA,CNPRTB]      | 2    | AG         |
| 13  | Q C N C M 7 0 1 4 S C 0 B | CONNECTOR [CNSPA,CNSPB]        | 2    | AD         |
| 14  | Q C N C M 7 0 1 4 S C 0 E | CONNECTOR [CNIRA,CNIRB]        | 2    | AB         |
| 15  | Q C N C M 7 0 1 4 S C 0 F | CONNECTOR [CNMMA,CNMMB]        | 2    | AB         |
| 16  | Q C N C M 7 0 1 4 S C 0 G | CONNECTOR [CNCISA,CNCISB]      | 2    | AB         |
| 17  | V H P S G 2 0 6 S // - 1  | PHOTO TRANSISTOR [PE]          | 1    | AG         |
| 18  | V R D - H T 2 E Y 2 2 1 J | RESISTOR (1/4W 220Ω ±5%) [R1 ] | 1    | AA         |
| 19  | Q S W - Z 2 2 0 6 S C Z Z | HOOK SWITCH [HOOKSW]           | 1    | AH         |

Extension printer board unit



EXTENSION PRINTER PWB

| NO. | PARTS CODE                | DESCRIPTION                                     | Q'TY | PRICE RANK |
|-----|---------------------------|---|------|------------|
| 1   | Q C N W - 4 8 0 2 S C Z Z | CABLE [CNP1]                                    | 1    | AU         |
| 2   | Q C N W - 4 8 0 3 S C Z Z | CABLE [CN1-B]                                   | 1    | AM         |
| 3   | Q C N W - 4 8 0 4 S C Z Z | CABLE [CN2-B]                                   | 1    | AM         |
| 4   | Q C N W - 4 8 0 5 S C Z Z | CABLE [CN3-B],[CN4-B]                           | 2    | AW         |
| 5   | Q C N C M 7 0 1 4 S C 0 B | CONNECTOR [CNP1]                                | 1    | AD         |
| 6   | Q C N C M 7 0 1 4 S C 0 D | CONNECTOR [CN2-A],[CN2-B]                       | 2    | AB         |
| 7   | Q C N C M 7 0 1 4 S C 0 E | CONNECTOR [CN1-A],[CN1-B]                       | 2    | AB         |
| 8   | Q C N C W 2 5 5 6 S C 3 B | CONNECTOR [CN3-A],[CN3-B],[CN4-A],[CN4-B]       | 4    | AG         |
| 9   | V H P S G 2 0 6 S // - 1  | PHOT INTERRUPTER [PC1]                          | 1    | AG         |
| 10  | V R D - H T 2 E Y 4 7 1 J | RESISTOR (1/4W 470 $\Omega$ $\pm$ 5%) [R1],[R2] | 2    | AA         |

## 2. Description

### 2-1. Extension board unit

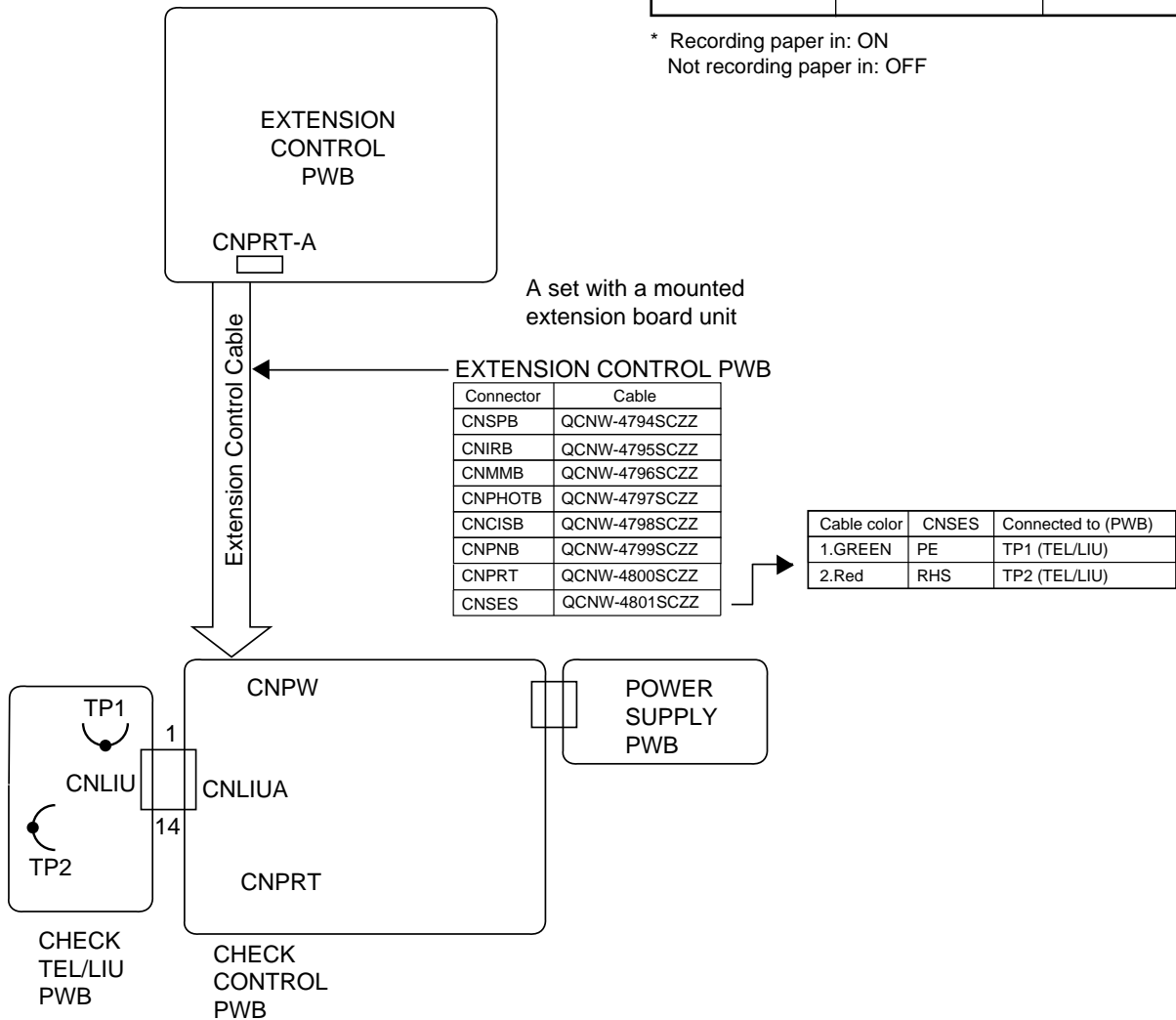
- Remove the TEL/LIU PWB, control PWB and Power Supply PWB from this unit, and mount the extension board unit instead.
  - Before connecting the wiring to the extension board unit, set the test PWB switches to the fixed position.
- The setting is as follows.

#### (1). Check Control PWB only

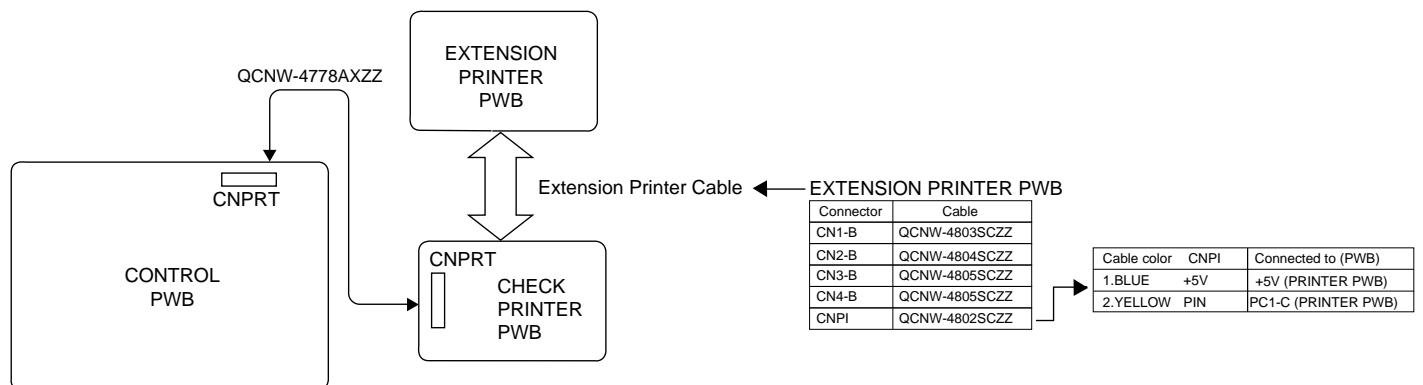
The paper-in sensor (PCI) is operated by OR of the mechanical unit switch and the test PWB switch.  
When performing installation in the machine unit, set the test PWB switch to the fixed position.

|                                       |                  |   |
|---------------------------------------|------------------|---|
|                                       | Mechanical unit  | PWB to be tested                        |
| Actual operation with mechanical unit |                  |   |
| Paper in sensor                       | ON/OFF operation | OFF (Photo interrupter is interrupted.) |
| PWB sensor check                      |                  |   |
| Paper in sensor                       | OFF              | ON/OFF operation                        |

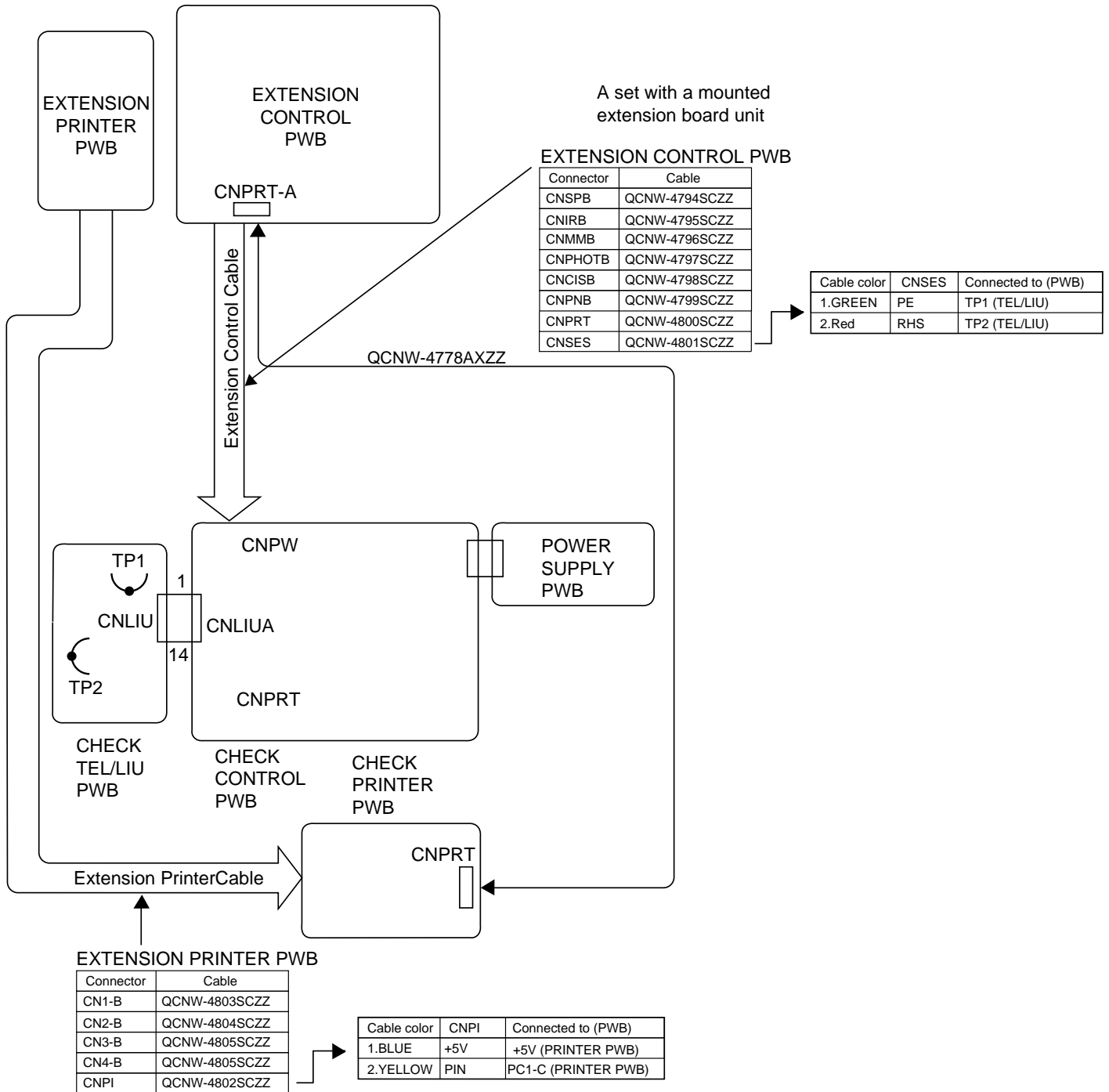
\* Recording paper in: ON  
Not recording paper in: OFF



#### (2). Check Printer PWB only



**(3).Check Printer PWB and Control PWB**



### 3. Shading paper

The white and black basis is applied to remember the shading waveform. Be sure to perform this operation when replacing the battery or replacing the control PWB. Execute in the shading mode of DIAG mode.

UX-108/178 SERIES SHADING WAVE MEMORY STANDARD PAPER (PSHEZ3354SCZZ)

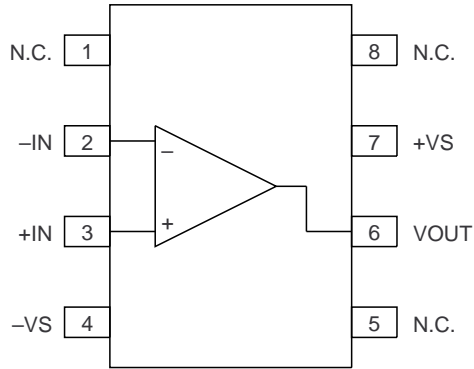


## [2] IC signal name

### CONTROL PWB UNIT

IC100: VHiAD8051// -1 (AD8051)

TOP VIEW

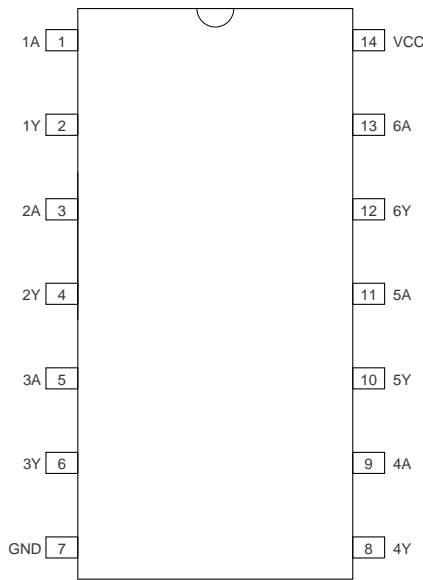


IC7, IC11: VHi74HCU04S-1 (74HCU04)

IC13: VHiSN74HC14NSR (74HC14)

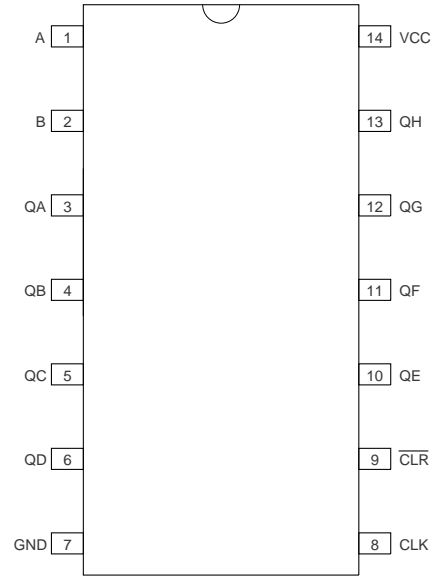
IC25: VHiSN74HCO4NSR (HC04)

TOP VIEW

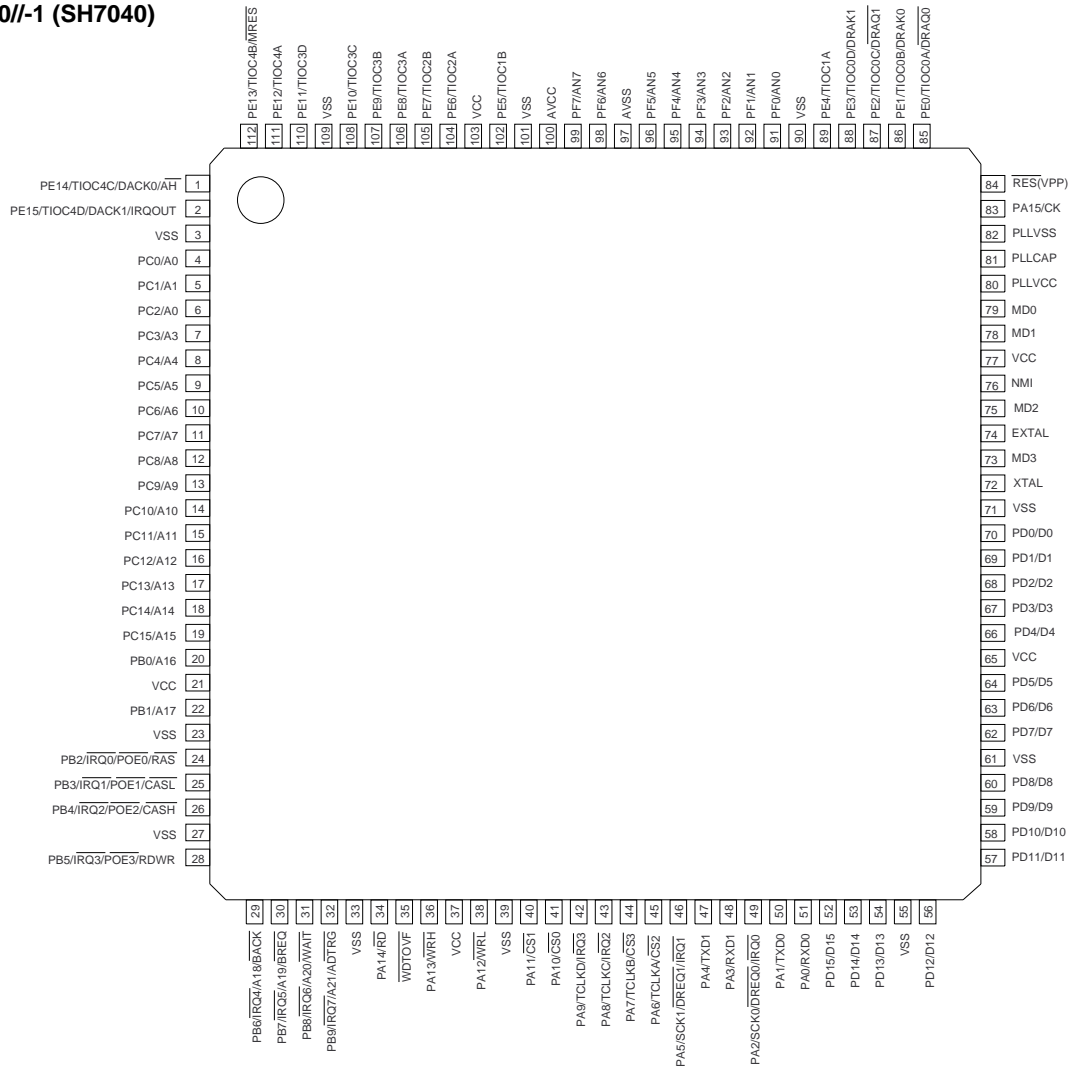


IC26: VHiSN74HC164NR (HC164)

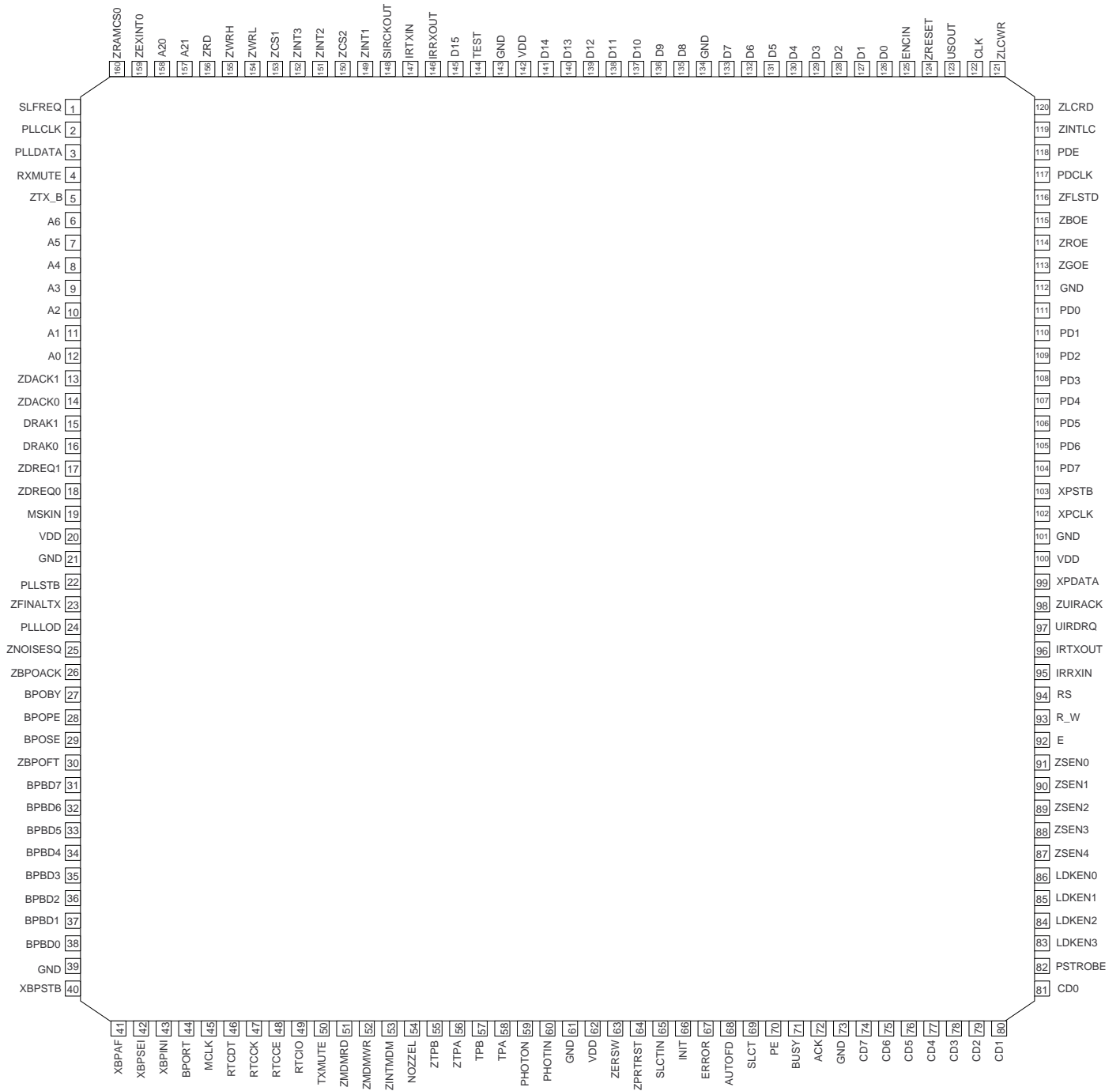
TOP VIEW



IC12: VHiSH7040// -1 (SH7040)



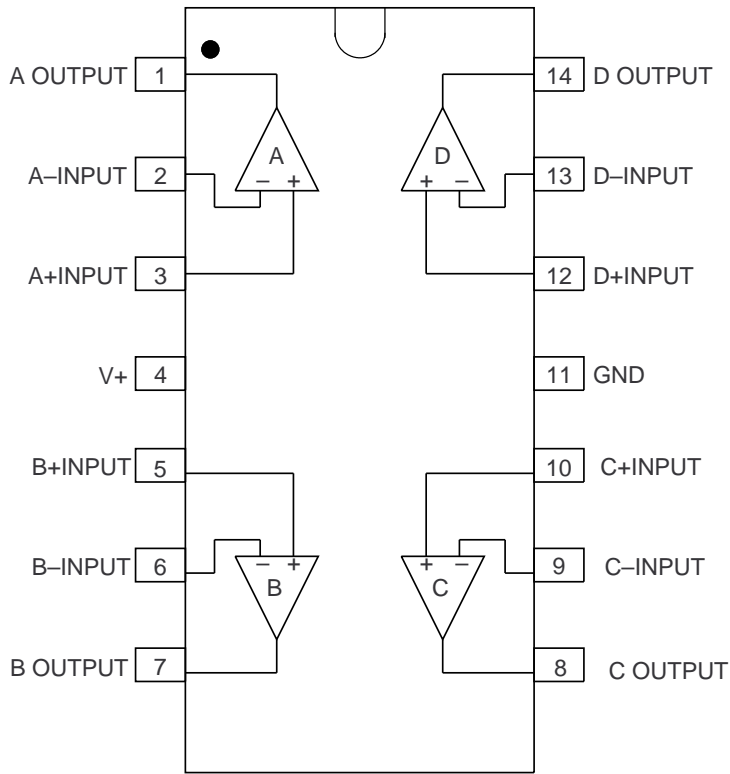
IC10: VHiLZ9FJ49/-1 (LZ9FJ49)



**INK SENSOR PWB UNIT**

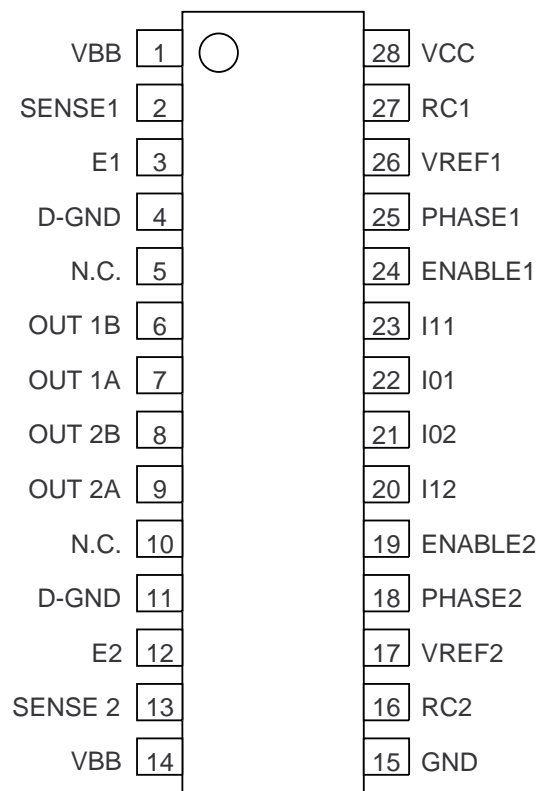
IC1: VHiNJM324M/-1 (LM324M)

TOP VIEW



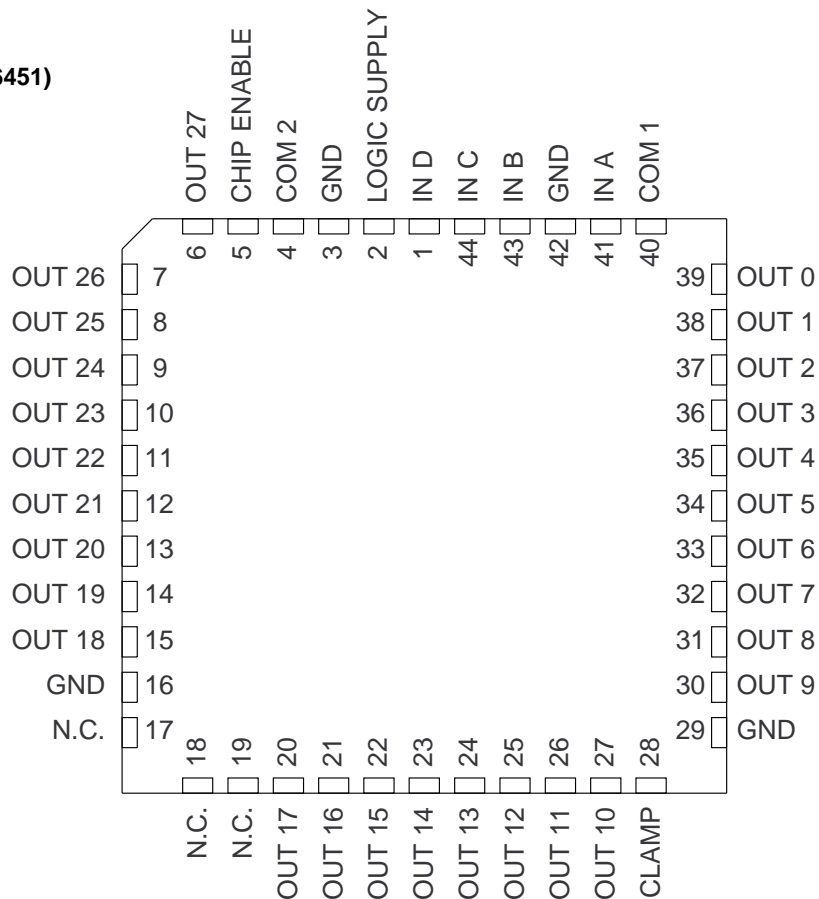
**PRINTER PWB UNIT**

IC1: VHiLB1845///-1 (LB1845)



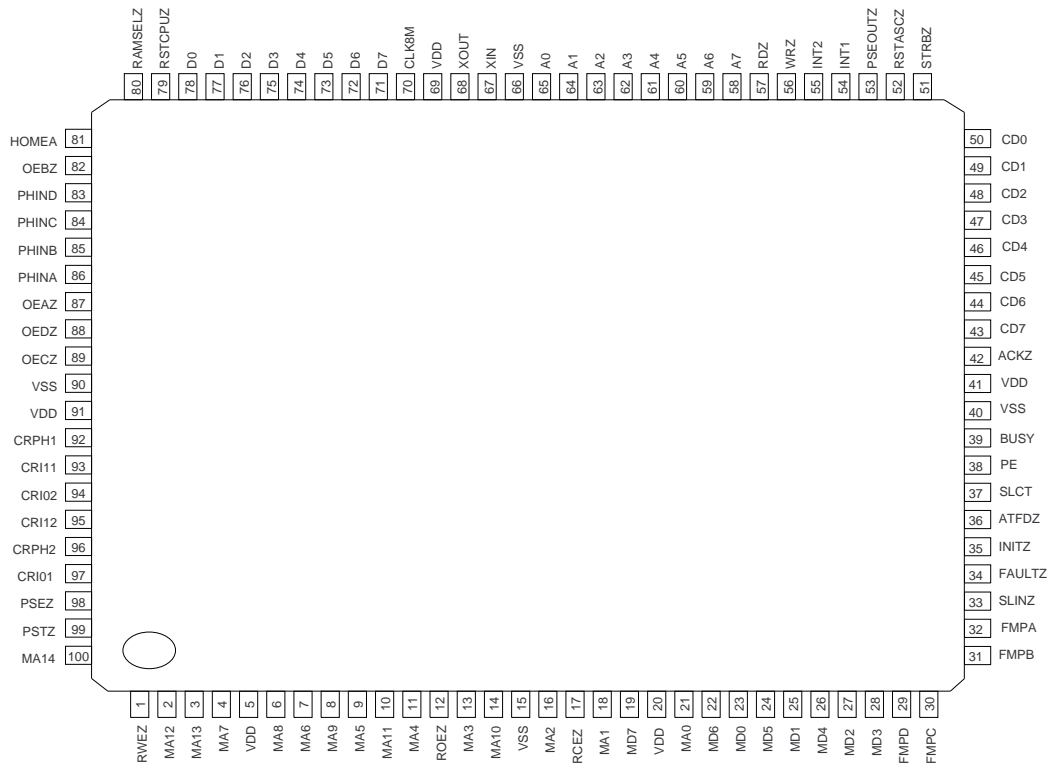
**PRINTER PWB UNIT**

IC4, IC6: VHiL6451///-1 (L6451)

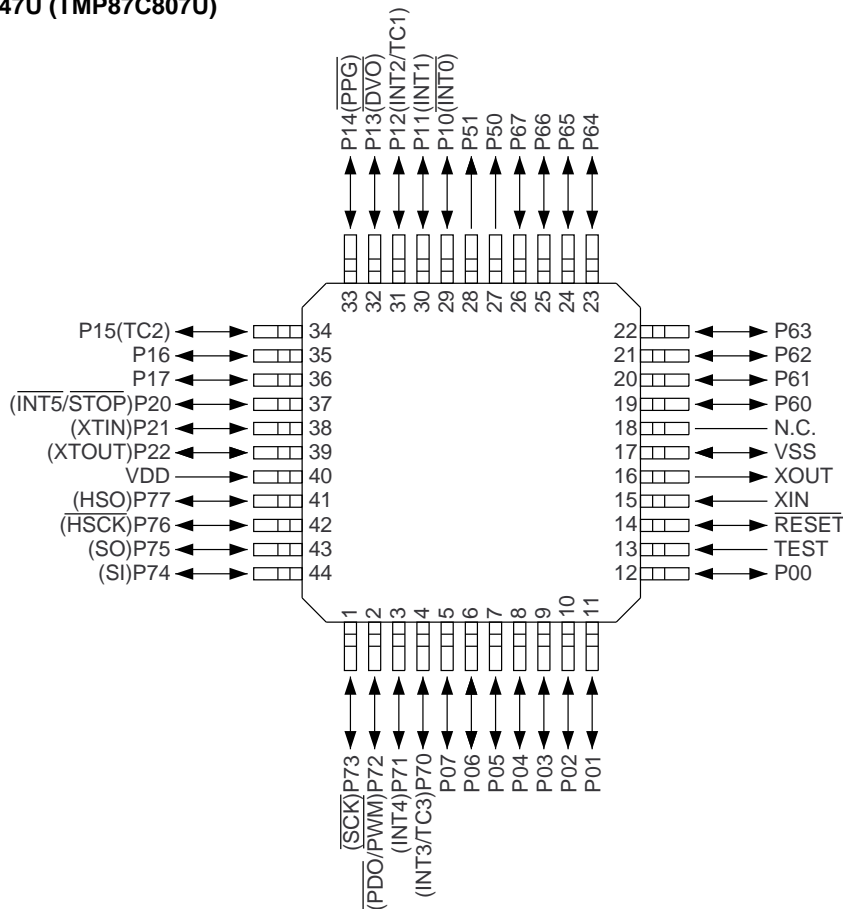




**IC5: VHiTC16G331AF (TC160G331AF)**



**IC8: VHiTMP87PH47U (TMP87C807U)**



**M E M O**

# SHARP PARTS GUIDE

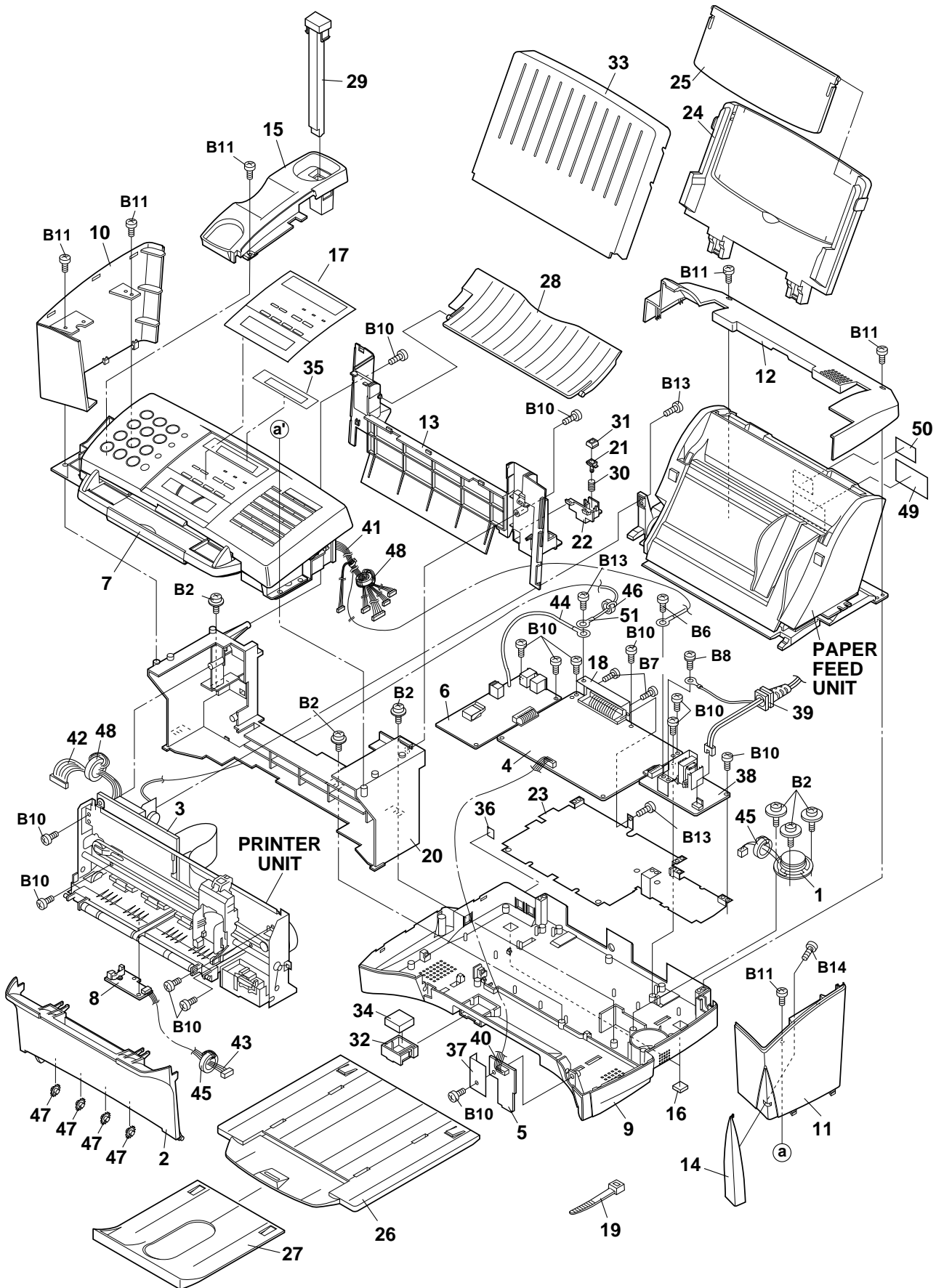
## UX-2200CM MODEL FO-2150CM

### CONTENTS

- |                                  |                             |
|----------------------------------|-----------------------------|
| 1 Cabinet, etc.                  | 10 Control PWB unit         |
| 2 Upper cabinet                  | 11 TEL-Liu PWB unit         |
| 3 Panel cabinet                  | 12 Ink sensor PWB unit      |
| 4 Document guide upper           | 13 Printer PWB unit         |
| 5 Paper feed unit                | 14 Operation panel PWB unit |
| 6 Scanner unit                   | 15 IrDA PWB unit            |
| 7 Drive unit                     | 16 Power supply PWB unit    |
| 8 Printer unit                   | 50 Hardware parts           |
| 9 Packing material & Accessories | ■ Index                     |

Because parts marked with "△" is indispensable for the machine safety maintenance and operation, it must be replaced with the parts specific to the product specification.

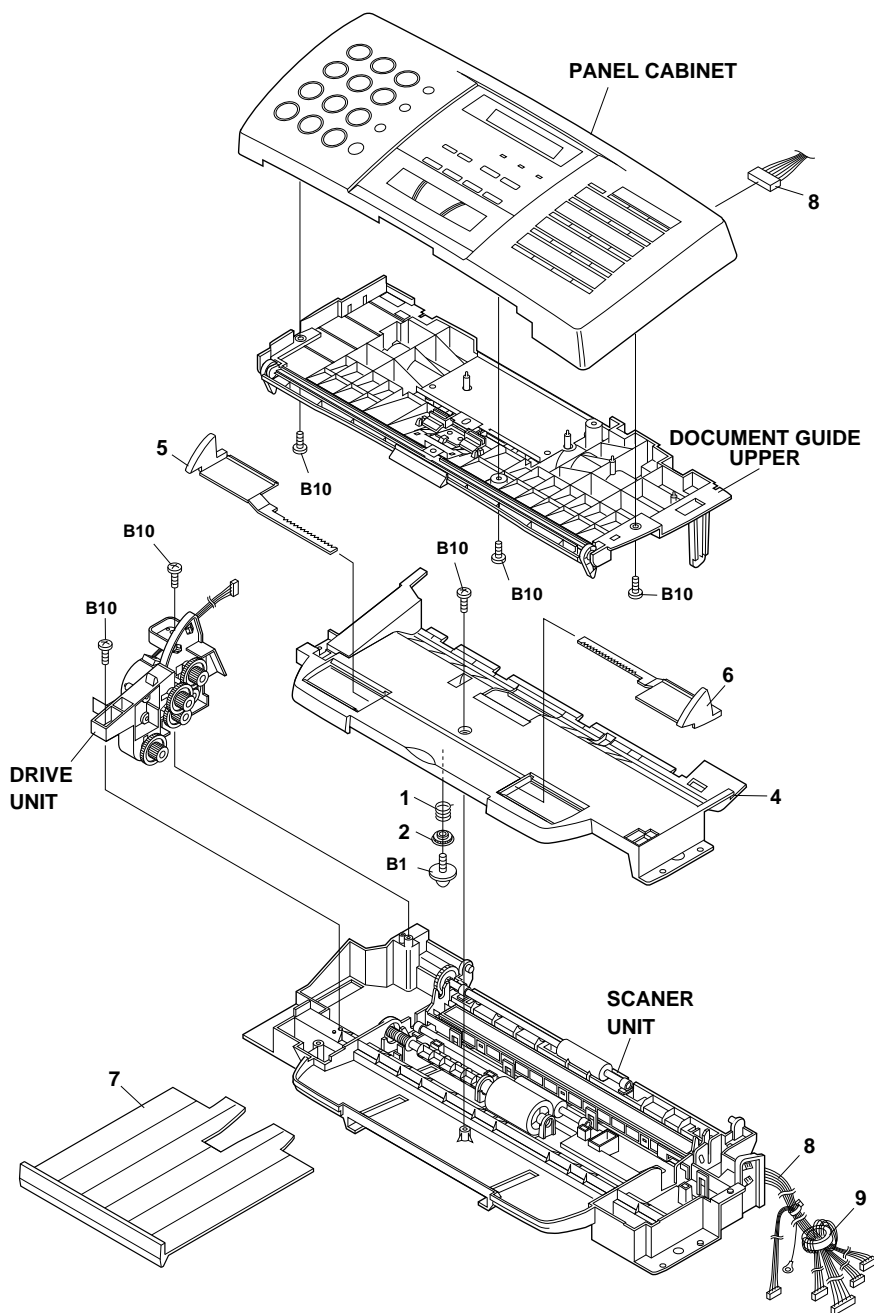
1 Cabinet, etc.



| NO.               | PARTS CODE    | PRICE RANK | NEW MARK | PART RANK | DESCRIPTION                            |
|-------------------|---------------|------------|----------|-----------|--|
| [1] Cabinet, etc. |               |            |          |           |  |
| 1                 | CCNW-4772AX01 | AL         | N        | C         | Speaker ass'y                          |
| 2                 | GCOVA2381AXSA | BD         | N        | D         | Front cover [2200CMU/CMC]              |
|                   | GCOVA2381AXSC | BD         | N        | D         | Front cover [2150CMU/CMC]              |
| 3                 | DCEKC395BAX01 | BV         | N        | E         | Printer PWB unit                       |
| 4                 | DCEKC781JAXZZ | CM         | N        | E         | Control PWB unit [2200CMU/CMC]         |
|                   | DCEKC887JAXZZ | CM         | N        | E         | Control PWB unit [2150CMU/CMC]         |
| 5                 | DCEKI394BAX01 | BB         | N        | E         | IrDA PWB unit                          |
| 6                 | DCEKL391BAX01 | BE         | N        | E         | TEL/Liu PWB unit                       |
| 7                 | DCEKP390BAX01 | BP         | N        | E         | Operation panel unit [2200CMU/CMC]     |
|                   | DCEKP390BAX02 | BP         | N        | E         | Operation panel unit [2150CMU/CMC]     |
| 8                 | DCEKS396BAX01 | AZ         | N        | E         | Ink sensor PWB                         |
| 9                 | GCABC2301AXSA | AX         | N        | D         | Bottom cabinet [2200CMU/CMC]           |
|                   | GCABC2301AXSC | AZ         | N        | D         | Bottom cabinet [2150CMU/CMC]           |
| 10                | GCABD2302AXSA | AM         | N        | D         | Left cabinet [2200CMU/CMC]             |
|                   | GCABD2302AXSC | AM         | N        | D         | Left cabinet [2150CMU/CMC]             |
| 11                | GCABE2303AXSA | AL         | N        | D         | Right cabinet [2200CMU/CMC]            |
|                   | GCABE2303AXSC | AL         | N        | D         | Right cabinet [2150CMU/CMC]            |
| 12                | GCABF2304AXSA | AP         | N        | D         | Rear cabinet [2200CMU/CMC]             |
|                   | GCABF2304AXSC | AP         | N        | D         | Rear cabinet [2150CMU/CMC]             |
| 13                | GCABG2305AXSA | AS         | N        | D         | Printer back cabinet [2200CMU/CMC]     |
|                   | GCABG2305AXSC | AR         | N        | D         | Printer back cabinet [2150CMU/CMC]     |
| 14                | GCOVA2382AXSA | AH         | N        | C         | IRDA cover                             |
| 15                | GDAI-2079AXSA | AL         | N        | C         | Handset holder [2200CMU/CMC]           |
|                   | GDAI-2079AXSC | AN         | N        | C         | Handset holder [2150CMU/CMC]           |
| 16                | GLEGG2063AXZZ | AC         |          | C         | Rubber leg                             |
| 17                | HPNLH2385AXSA | AU         | N        | D         | Decoration panel                       |
| 18                | LANGF2812AXZZ | AG         | N        | C         | 232C Bracket                           |
| 19                | LBNDJ2008SCZZ | AA         |          | C         | Band(GT-100M)                          |
| 20                | LFRM-2190AXZZ | AX         | N        | C         | Frame                                  |
| 21                | LHLDZ2166AXZZ | AD         | N        | C         | Cap holder                             |
| 22                | LHLDZ2171AXSA | AE         | N        | C         | Back cabinet piece [2200CMU/CMC]       |
|                   | LHLDZ2171AXSC | AE         | N        | C         | Back cabinet piece [2150CMU/CMC]       |
| 23                | LPLTM2923AXZA |            | N        | C         | Shield plate                           |
| 24                | LPLTP2889AXSD | AN         | N        | C         | Paper tray A [2200CMU/CMC]             |
|                   | LPLTP2889AXSC | AK         | N        | C         | Paper tray A [2150CMU/CMC]             |
| 25                | LPLTP2890AXSD | AG         | N        | C         | Paper tray B [2200CMU/CMC]             |
|                   | LPLTP2890AXSC | AZ         | N        | C         | Paper tray B [2150CMU/CMC]             |
| 26                | LPLTP2925AXSA | AQ         | N        | C         | Paper out tray [2200CMU/CMC]           |
|                   | LPLTP2925AXSC | AQ         | N        | C         | Paper out tray [2150CMU/CMC]           |
| 27                | LPLTP2926AXSA | AM         | N        | C         | Extension paper out tray [2200CMU/CMC] |
|                   | LPLTP2926AXSC | AM         | N        | C         | Extension paperout tray [2150CMU/CMC]  |
| 28                | LPLTP2932AXSA | AK         | N        | C         | Document tray                          |
| 29                | MLEVP2278AXSA | AF         | N        | C         | Hook switch lever                      |
| 30                | MSPRC2973AXZZ | AC         | N        | C         | Cap spring                             |
| 31                | PCAPH2021AXZZ | AD         | N        | C         | Cap gum                                |
| 32                | PCASZ2034AXSA | AE         | N        | C         | OOI-Case [2200CMU/CMC]                 |
|                   | PCASZ2034AXSC | AE         | N        | C         | OOI-case [2150CMU/CMC]                 |
| 33                | PCOVA2115AXSA | AL         | N        | C         | Paper cover                            |
| 34                | PFLT-2015AXZZ | AG         | N        | C         | Felt                                   |
| 35                | PSHEZ3345AXSA | AG         | N        | C         | LCD sheet                              |
| 36                | PSHEZ3356AXZZ | AC         | N        | C         | Jack sheet                             |
| 37                | PSHEZ3368AXZZ | AD         | N        | C         | IrDA sheet                             |
| 38                | RDENT2122AXZZ | BN         | N        | E         | Power supply PWB unit                  |
| 39                | QACCZ2012XHZZ | AT         | N        | B         | AC cord ass'y                          |
| 40                | QCNW-4773AXZZ | AG         | N        | D         | IRDA cable                             |
| 41                | QCNW-4777AXZZ | AU         | N        | C         | Panel cable                            |
| 42                | QCNW-4778AXZZ | AZ         | N        | C         | Printer cable                          |
| 43                | QCNW-4775AXZZ | AH         | N        | C         | Ink out cable                          |
| 44                | QCNW-4806AXZZ | AD         | N        | C         | ARG cable                              |
| 45                | RCORF2063XHZZ | AF         |          | B         | Core                                   |
| 46                | RCORF2096FFZZ | AD         | N        | B         | Core                                   |
| 47                | NROLM2389AXZZ | AD         | N        | C         | Star roller                            |
| 48                | RCORF2064XHZZ | AF         |          | B         | Core                                   |
| 49                | TLAGB4602AXZZ | AB         | N        | D         | Noise label [2200CMC/2150CMC]          |
| 50                | TLABS4534SCZZ | AB         | N        | D         | IC label [2200CMC/2150CMC]             |
| 51                | QCNW4807AXZZ  | AE         | N        | C         | Ground cable                           |

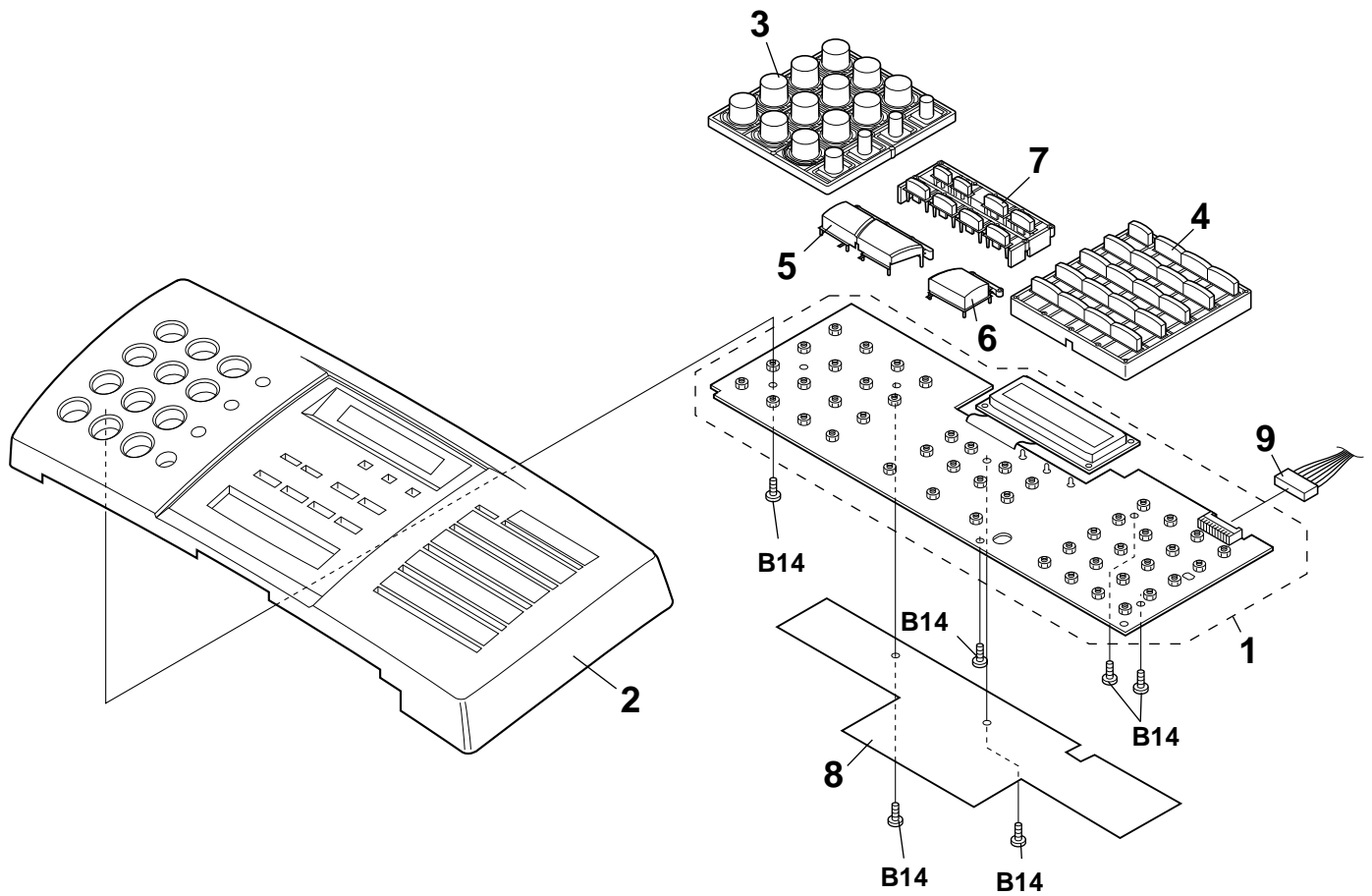
△  
△

[2] Upper cabinet



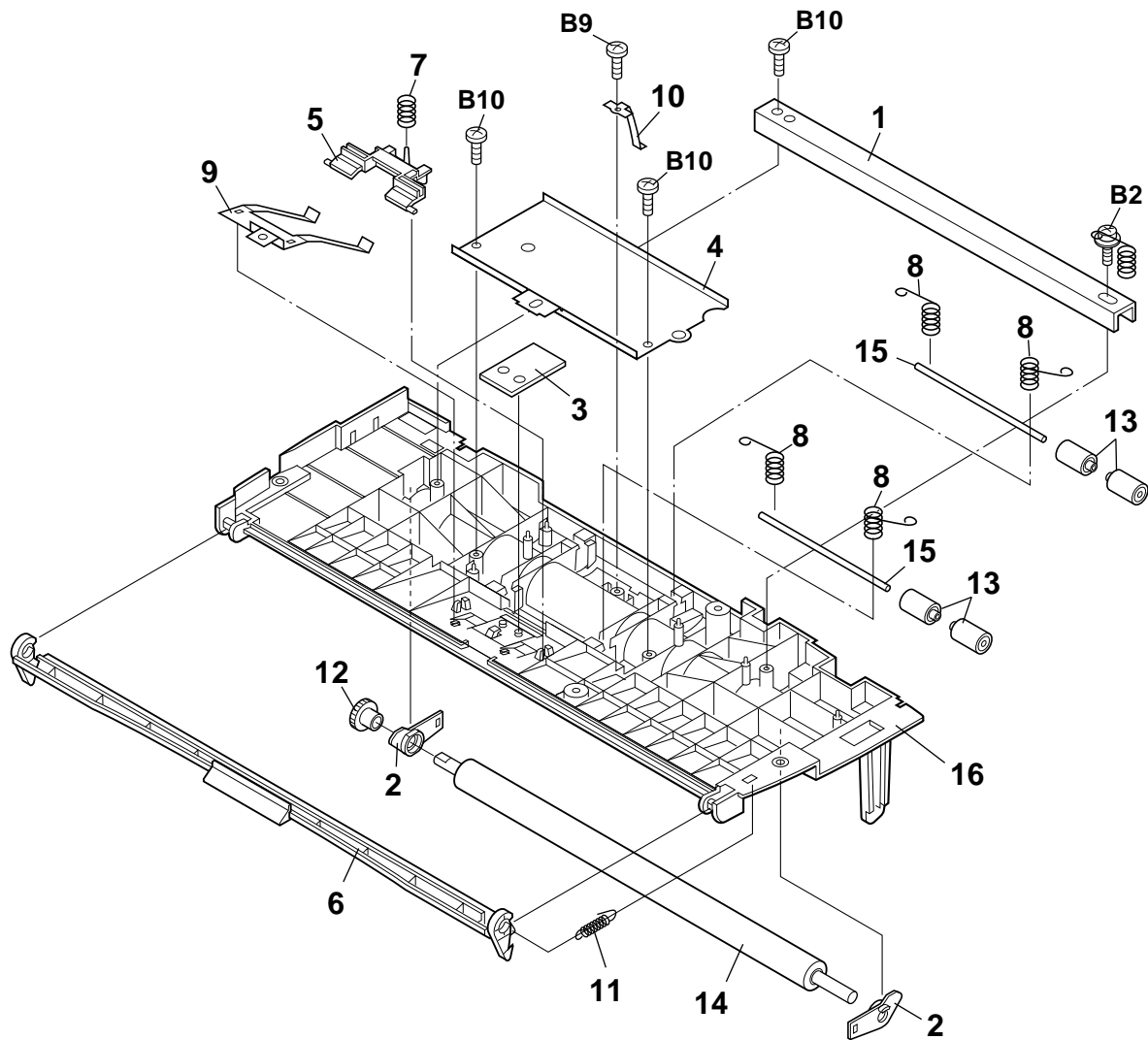
| NO.               | PARTS CODE    | PRICE RANK | NEW MARK | PART RANK | DESCRIPTION          |
|-------------------|---------------|------------|----------|-----------|----------------------|
| [2] Upper cabinet |               |            |          |           |                      |
| 1                 | MSPRC2832AXZZ | AC         | N        | C         | Hopper spring        |
| 2                 | NGERP2318XHZZ | AD         |          | C         | Pinion gear          |
| 4                 | PGIDM2509AXSA | AR         | N        | C         | Lower document guide |
|                   | PGIDM2509AXSC | AR         | N        | C         | Lower document guide |
| 5                 | PGIDM2510AXSA | AE         | N        | C         | Hopper guide,left    |
|                   | PGIDM2510AXSC | AE         | N        | C         | Hopper guide,left    |
| 6                 | PGIDM2511AXSA | AE         | N        | C         | Hopper guide,right   |
|                   | PGIDM2511AXSC | AE         | N        | C         | Hopper guide,right   |
| 7                 | PHOP-2097AXSA | AK         | N        | C         | Extension hopper     |
|                   | PHOP-2097AXSC | AK         | N        | C         | Extension hopper     |
| 8                 | QCNW-4777AXZZ | AU         | N        | C         | Panel cable          |
| 9                 | RCORF2064XHZZ | AF         |          | B         | Core                 |
|                   |               |            |          |           |                      |
|                   |               |            |          |           |                      |
|                   |               |            |          |           |                      |
|                   |               |            |          |           |                      |

3 Panel cabinet



| NO.                      | PARTS CODE    | PRICE RANK | NEW MARK | PART RANK | DESCRIPTION                 |
|--------------------------|---------------|------------|----------|-----------|-----------------------------|
| <b>[3] Panel cabinet</b> |               |            |          |           |                             |
| 1                        | DCEKP392BAX01 | BL         | N        | E         | Panel PWB unit              |
| 2                        | GCABA2299AXSA | AS         | N        | D         | Upper cabinet [2200CMU/CMC] |
|                          | GCABA2299AXSC | AS         | N        | D         | Upper cabinet [2150CMU/CMC] |
| 3                        | JBTN-2202AXSA | AG         |          | C         | 12 key [2200CMU/CMC]        |
|                          | JBTN-2202AXSC | AG         |          | C         | 12 key [2150CMU/CMC]        |
| 4                        | JBTN-2203AXSA | AF         |          | C         | Direct key [2200CMU/CMC]    |
|                          | JBTN-2203AXSC | AF         |          | C         | Direct key [2150CMU/CMC]    |
| 5                        | JBTN-2204AXSA | AD         |          | C         | Start key [2200CMU/CMC]     |
|                          | JBTN-2204AXSB | AD         |          | C         | Start key [2150CMU/CMC]     |
| 6                        | JBTN-2205AXSA | AD         |          | C         | Stop key [2200CMU/CMC]      |
|                          | JBTN-2205AXSB | AD         |          | C         | Stop key [2150CMU/CMC]      |
| 7                        | JBTN-2222AXSA | AE         | N        | C         | Mode key                    |
| 8                        | PSHEZ3367AXZZ | AE         | N        | C         | Insulation sheet            |
| 9                        | QCNW-4777AXZZ | AU         | N        | C         | Panel cable                 |
|                          | (Unit)        |            |          |           |                             |
| 901                      | DCEKP390BAX01 | BP         | N        | E         | Operation panel unit        |
|                          |               |            |          |           |                             |
|                          |               |            |          |           |                             |
|                          |               |            |          |           |                             |
|                          |               |            |          |           |                             |
|                          |               |            |          |           |                             |
|                          |               |            |          |           |                             |
|                          |               |            |          |           |                             |
|                          |               |            |          |           |                             |
|                          |               |            |          |           |                             |
|                          |               |            |          |           |                             |
|                          |               |            |          |           |                             |
|                          |               |            |          |           |                             |
|                          |               |            |          |           |                             |
|                          |               |            |          |           |                             |
|                          |               |            |          |           |                             |
|                          |               |            |          |           |                             |

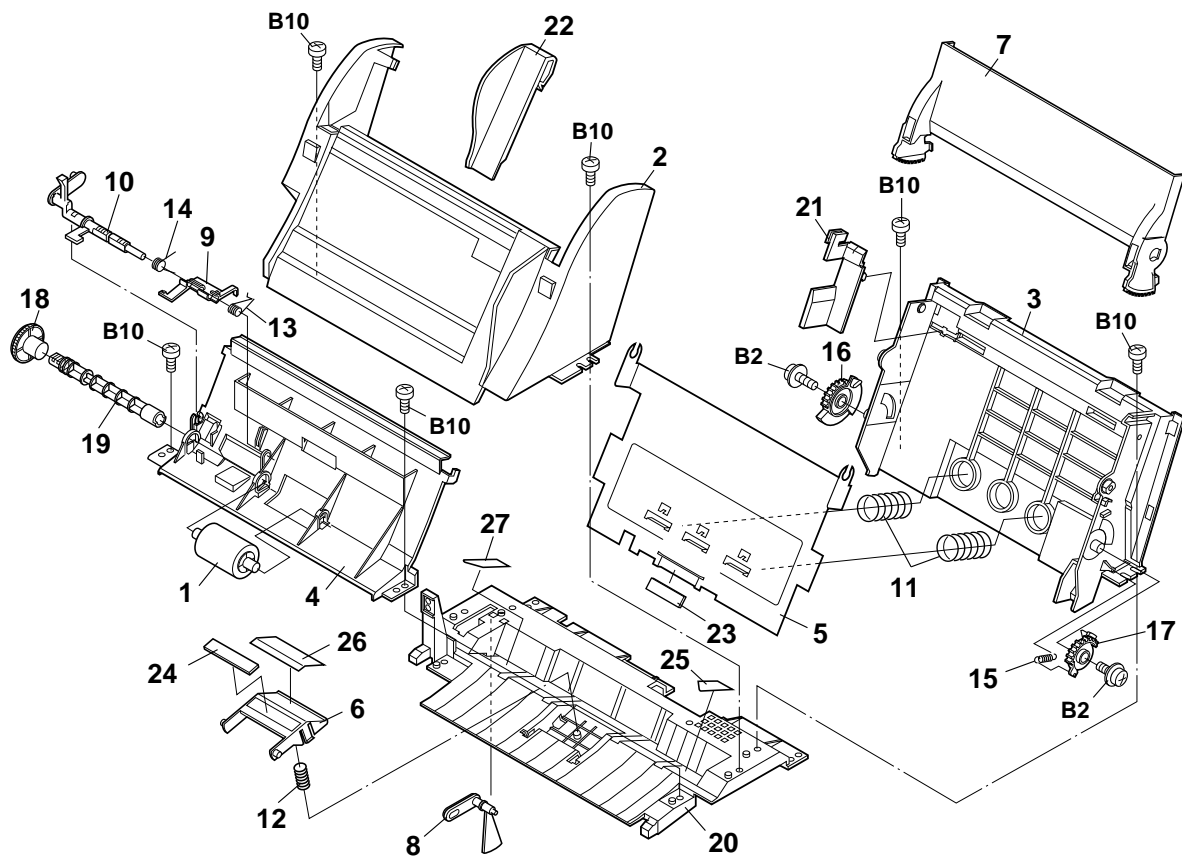
4 Document guide upper



| NO.                      | PARTS CODE    | PRICE RANK | NEW MARK | PART RANK | DESCRIPTION             |               |
|--------------------------|---------------|------------|----------|-----------|-------------------------|---------------|
| [4] Document guide upper |               |            |          |           |                         |               |
| 1                        | LANGF2815AXZZ | AE         | N        | C         | Strength angle          |               |
| 2                        | LBSHP2096AXZZ | AK         | N        | C         | BR bearing              |               |
| 3                        | LPLTG2707XHZZ | AE         | N        | C         | Separation rubber       |               |
| 4                        | LPLTM2917AXZZ | AH         | N        | C         | Streng then plate       |               |
| 5                        | LPLTP2916AXZZ | AE         | N        | C         | Separate plate          |               |
| 6                        | MLEVP2271AXSA | AH         | N        | C         | Panel lock lever        | [2200CMU/CMC] |
|                          | MLEVP2271AXSC | AH         | N        | C         | Panel lock lever        | [2150CMU/CMC] |
| 7                        | MSPRC3010AXZZ | AE         | N        | C         | Separate spring         |               |
| 8                        | MSPRC3009AXZZ | AB         | N        | C         | Pinch p spring          |               |
| 9                        | MSPRP2812SCZZ | AE         | N        | C         | Paper feed spring       |               |
| 10                       | MSPRP3003AXZZ | AB         | N        | C         | Document out spring     |               |
| 11                       | MSPRT2923AXFJ | AC         | N        | C         | Panel lock lever spring |               |
| 12                       | NGERH2403AXZZ | AD         | N        | C         | Back roller gear        |               |
| 13                       | NROLP2334AXZZ | AE         | N        | C         | Pinch roller            |               |
| 14                       | NROLR2379AXZZ | AZ         | N        | C         | Back roller             |               |
| 15                       | NSFTZ2257AXZZ | AE         | N        | C         | Pinch roller shaft      |               |
| 16                       | PGIDM2508AXZZ | AU         | N        | C         | Upper document guide    |               |

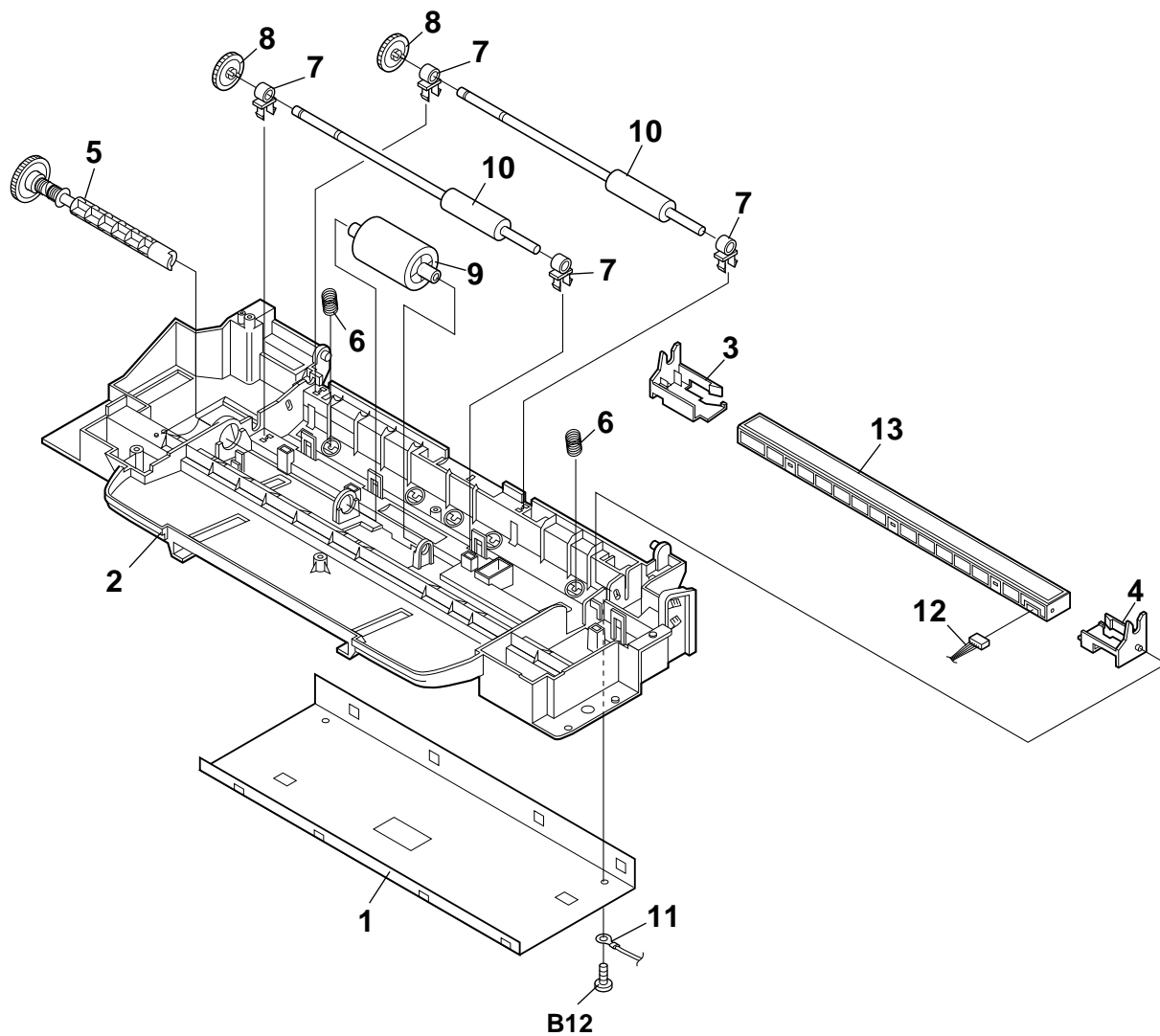


5 Paper feed unit



| NO.                 | PARTS CODE    | PRICE RANK | NEW MARK | PART RANK | DESCRIPTION                      |
|---------------------|---------------|------------|----------|-----------|----------------------------------|
| [5] Paper feed unit |               |            |          |           |                                  |
| 1                   | CROLR2362AX01 | AN         |          | C         | PU roller ass'y                  |
| 2                   | GCABB2300AXSA | AQ         | N        | D         | Paper feed cabinet [2200CMU/CMC] |
|                     | GCABB2300AXSC | AQ         | N        | D         | Paper feed cabinet [2150CMU/CMC] |
| 3                   | LFRM-2189AXSA | AR         | N        | C         | Paper feed frame [2200CMU/CMC]   |
|                     | LFRM-2189AXSC | AR         | N        | C         | Paper feed frame [2150CMU/CMC]   |
| 4                   | LHLDZ2165AXZZ | AN         | N        | C         | Paper feed roller holder         |
| 5                   | LPLTM2924AXZZ | AQ         | N        | C         | Paper up plate                   |
| 6                   | LPLTP2884AXZZ | AP         |          | C         | Separate plate                   |
| 7                   | LPLTP2888AXSG | AL         | N        | C         | RP release plate [2200CMU/CMC]   |
|                     | LPLTP2888AXSC | AP         |          | C         | RP release plate [2150CMU/CMC]   |
| 8                   | MLEVP2275AXZZ | AE         | N        | C         | PE sensor lever 3                |
| 9                   | MLEVP2276AXZZ | AE         | N        | C         | PE sensor lever 1                |
| 10                  | MLEVP2277AXZZ | AE         | N        | C         | PE sensor lever 2                |
| 11                  | MSPRC3007AXZZ | AC         | N        | C         | Cassette spring                  |
| 12                  | MSPRC2995AXFJ | AC         |          | C         | Separate plate spring            |
| 13                  | MSPRD2998AXZZ | AC         | N        | C         | Pe sensor lever spring 1         |
| 14                  | MSPRD3004AXZZ | AB         | N        | C         | Pe sensor lever spring 2         |
| 15                  | MSPRT2932AXFJ | AC         |          | C         | RP release spring                |
| 16                  | NGERH2365AXZZ | AD         |          | C         | RP release gear,left             |
| 17                  | NGERH2366AXZZ | AD         |          | C         | RP release gear,right            |
| 18                  | NGERH2401AXZZ | AF         | N        | C         | Paper feed gear                  |
| 19                  | NSFTM2268AXZZ | AE         |          | C         | Paper up roller shaft            |
| 20                  | PGIDM2512AXZZ | AS         | N        | C         | Paper feed lower guide           |
| 21                  | PHOP-2098AXSA | AG         | N        | C         | Paper guide hopper [2200CMU/CMC] |
|                     | PHOP-2098AXSC | AG         | N        | C         | Paper guide hopper [2150CMU/CMC] |
| 22                  | PHOP-2099AXSA | AG         | N        | C         | Bypath paper guide [2200CMU/CMC] |
|                     | PHOP-2099AXSC | AG         | N        | C         | Bypath paper guide [2150CMU/CMC] |
| 23                  | PSEL-2015SCZZ | AB         |          | C         | RP pad                           |
| 24                  | PSHEZ3293AXZZ | AH         |          | C         | Separate plate sheet             |
| 25                  | PSHEZ3342AXZZ | AC         |          | C         | Guide sheet,right                |
| 26                  | PSHEZ3344AXZZ | AD         |          | C         | Separate sheet                   |
| 27                  | PSHEZ3357AXZZ | AC         | N        | C         | Guide sheet,Left                 |
|                     |               |            |          |           |                                  |
|                     |               |            |          |           |                                  |
|                     |               |            |          |           |                                  |
|                     |               |            |          |           |                                  |

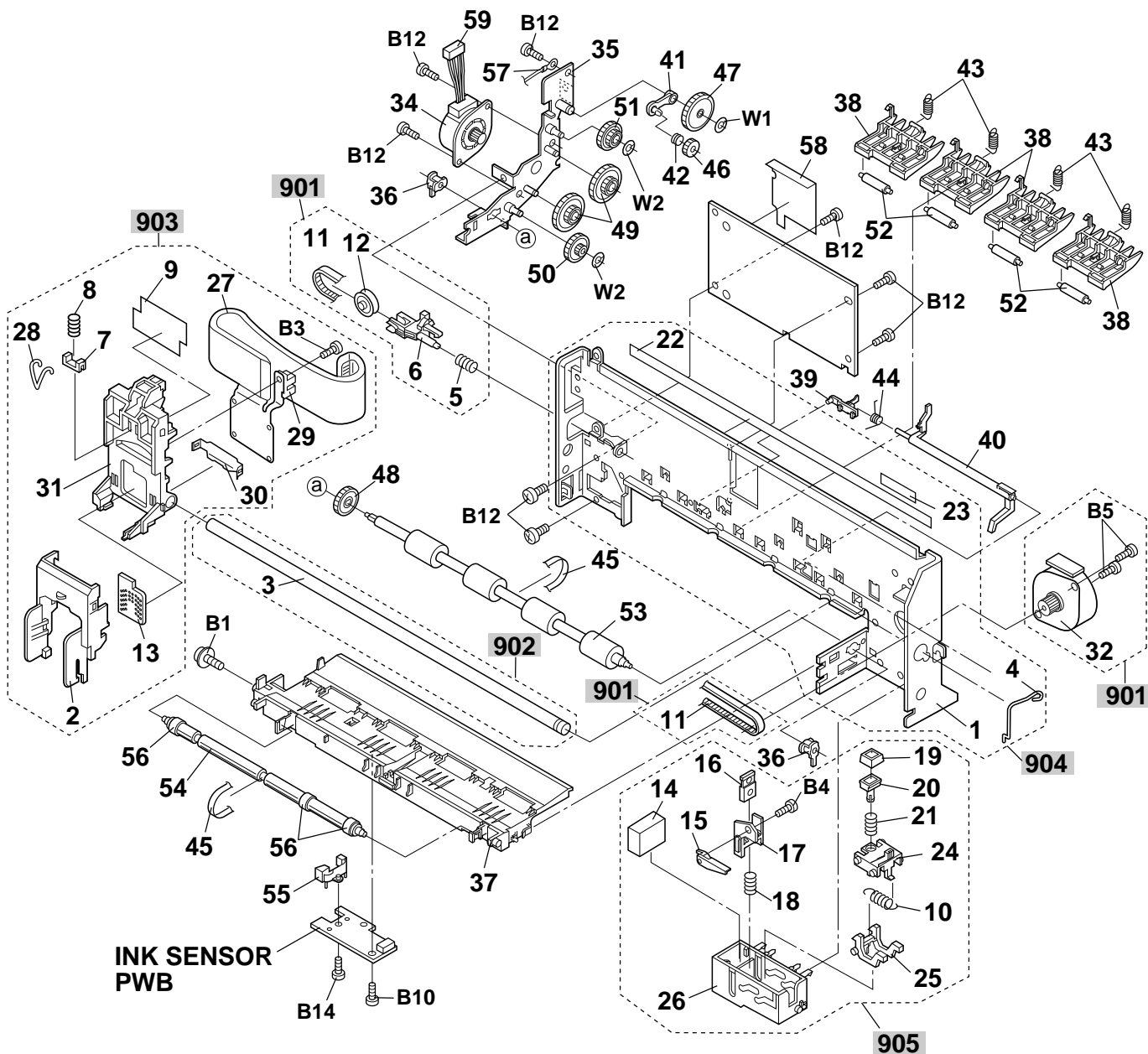
[6] Scanner unit



| NO.              | PARTS CODE    | PRICE RANK | NEW MARK | PART RANK | DESCRIPTION      |
|------------------|---------------|------------|----------|-----------|------------------|
| [6] Scanner unit |               |            |          |           |                  |
| 1                | LPLTM2919AXZZ | AN         | N        | C         | Sub base plate   |
| 2                | LPLTP2918AXZZ | AW         | N        | C         | Scanner base     |
| 3                | LPLTP2920AXZZ | AE         | N        | C         | CIS holder Left  |
| 4                | LPLTP2921AXZZ | AE         | N        | C         | CIS holder Right |
| 5                | CGERH2363AX01 | AK         |          | B         | Feed gear ass'y  |
| 6                | MSPRC2969AXZZ | AD         | N        | C         | CIS spring       |
| 7                | NBRGP2141AXZZ | AC         |          | C         | Transfer bearing |
| 8                | NGERH2275XHZZ | AC         |          | C         | Transfer gear 2  |
| 9                | NROLR2333XHZZ | AP         |          | C         | Feed roller      |
| 10               | NROLR2365AXZZ | AV         |          | C         | Transfer roller  |
| 11               | QCNW-4855AXZZ | AD         | N        | C         | Ground cable 2   |
| 12               | QCNW-4776AXZZ | AR         | N        | C         | CIS cable        |
| 13               | RUNTZ2021SCZZ | BF         |          | B         | CIS unit ass'y   |
|                  |               |            |          |           |                  |
|                  |               |            |          |           |                  |
|                  |               |            |          |           |                  |

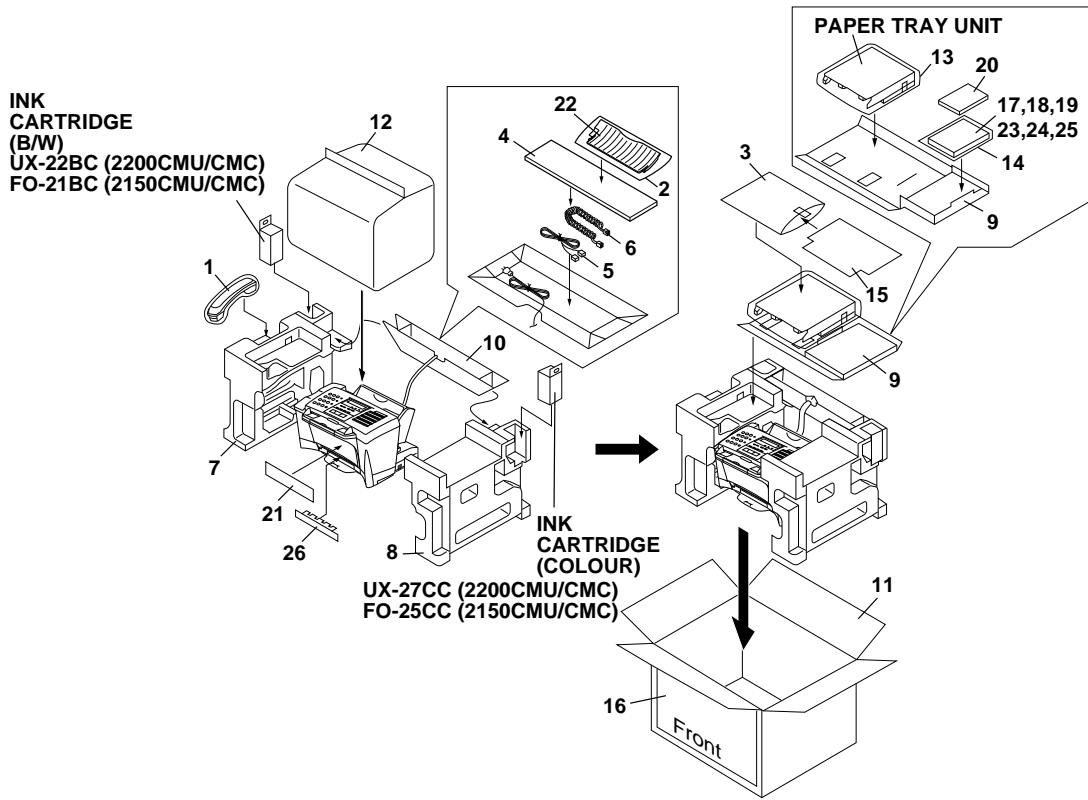


8 Printer unit





9 Packing material & Accessories



| NO.   | PARTS CODE    | PRICE RANK | NEW MARK | PART RANK | DESCRIPTION                             |
|---|---------------|------------|----------|-----------|---|
| <b>[9] Packing material &amp; Accessories</b> |               |            |          |           |   |
| 1   | DUNTK307BAXOW | AZ         |          | E         | Handset unit [2200CMU/CMC]              |
|   | DUNTK307BAXOG | AZ         |          | E         | Handset unit [2150CMU/CMC]              |
| 2   | SSAKA3001CCZZ | AA         |          | D         | Polyethylene bag, Document tray         |
| 3   | SSAKA3340QCZZ | AB         |          | D         | Polyethylene bag, Pop card              |
| 4   | SPAKA393AAXZZ | AC         | N        | C         | Spacer                                  |
| 5   | QCNW-3975AXGY | AH         |          | C         | Telephone line cord [2200CMU/2150CMU]   |
|   | QCNW-3247SCZZ | AH         |          | C         | Telephone line cord [2200CMC/2150CMC]   |
| 6   | QCNW-3976XHOW | AK         |          | C         | Handset cord [2200CMU/CMC]              |
|   | QCNW-3976XHOG | AT         |          | C         | Handset cord [2150CMU/CMC]              |
| 7   | SPAKA220AAXZZ | AF         | N        | D         | Add., Left                              |
| 8   | SPAKA221AAXZZ | AF         | N        | D         | Add., Right                             |
| 9   | SPAKA222AAXZZ | AG         | N        | D         | PLT-AD1                                 |
| 10  | SPAKA223AAXZZ | AF         | N        | D         | PLT-AD2                                 |
| 11  | SPAKC225AAXZZ | AV         | N        | D         | Packing case [2200CMU]                  |
|   | SPAKC249AAXZZ | AL         | N        | D         | Packing case [2150CMU]                  |
|   | SPAKC324AAXZZ | AL         | N        | D         | Packing case [2200CMC]                  |
|   | SPAKC367AAXZZ | AL         | N        | D         | Packing case [2150CMC]                  |
| 12  | SPAKP4381AXZZ | AG         |          | D         | Vinyl cover                             |
| 13  | SSAKA2008AXZZ | AA         | N        | D         | Vinyl bag                               |
| 14  | SSAKA2344QCZZ | AB         |          | D         | Operation manual vinyl bag              |
| 15  | TCADZ2550AXZZ | AK         | N        | D         | Pop card [2200CMU]                      |
|   | TCADZ2606AXZZ | AK         | N        | D         | Pop card [2200CMC]                      |
| 16  | TLABM4316AXZZ | AG         | N        | D         | Box label [2200CMU]                     |
|   | TLABM4537AXZZ | AG         | N        | D         | Box label [2200CMC]                     |
| 17  | TCADZ2588AXZZ | AB         | N        | D         | Quick reference guide [2200CMU/2150CMU] |
|   | TCADZ2603AXZZ | AC         | N        | D         | Quick reference guide [2200CMC/2150CMC] |
| 18  | TINSE3773AXZZ | AF         | N        | D         | Operation manual [2200CMU]              |
|   | TINSE3796AXZZ | AF         | N        | D         | Operation manual [2150CMU]              |
|   | TINSK3853AXZZ | AF         | N        | D         | Operation manual [2200CMC]              |
|   | TINSK3865AXZZ | AE         | N        | D         | Operation manual [2150CMC]              |
| 19  | TLABH4496AXSA | AC         | N        | D         | Rapid key label [2200CMU/CMC]           |
|   | TLABH4496AXSC | AC         | N        | D         | Rapid key label [2150CMU/CMC]           |
| 20  | UDSKA2003SCZZ | AP         | N        | E         | CD-ROM [2200CMU/2150CMU]                |
|   | UDSKA2008SCZZ | AQ         | N        | E         | CD-ROM [2200CMC/2150CMC]                |
| 21  | TLABM4604AXZZ | AE         | N        | D         | Pop label [2200CMC]                     |
| 22  | LPLTP2932AXSA | AK         | N        | C         | Document tray                           |
| 23  | TCADZ2631AXZZ | AC         | N        | D         | Up grade coupon                         |
| 24  | TLABH4238AXZG | AC         | N        | D         | Document set label [2200CMC]            |
|   | TLABH4496AXSC | AC         | N        | D         | Document set label [2150CMC]            |
| 25  | TCADZ2561AXZZ | AF         | N        | D         | Registration card [2200CMU]             |
| 26  | SPAKA417AAXZZ |            | N        | D         | Roller protector                        |

| NO.                   | PARTS CODE    | PRICE RANK | NEW MARK | PART RANK | DESCRIPTION                    |
|-----------------------|---------------|------------|----------|-----------|--------------------------------|
| [10] Control PWB unit |               |            |          |           |                                |
| 1                     | UBATL0011FCZZ | AM         |          | B         | Lithium battery [BAT]          |
| 2                     | VCEAGA1CW476M | AB         |          | C         | Capacitor(16WV 47μF) [C45]     |
| 3                     | VCEAGA1CW476M | AB         |          | C         | Capacitor(16WV 47μF) [C46]     |
| 4                     | VCEAGA1HW107M | AA         |          | C         | Capacitor(50WV 100μF) [C47]    |
| 5                     | VCEAGA1HW107M | AA         |          | C         | Capacitor(50WV 100μF) [C49]    |
| 6                     | VCEAGA1EW226M | AB         |          | C         | Capacitor(25WV 22μF) [C51]     |
| 7                     | VCEAGA1HW105M | AB         |          | C         | Capacitor(50WV 1μF) [C52]      |
| 8                     | VCEAGA1HW475M | AA         |          | C         | Capacitor(50WV 4.7μF) [C53]    |
| 9                     | VCEAGA1CW336M | AA         |          | C         | Capacitor(16WV 33μF) [C54]     |
| 10                    | VCEAGA1HW476M | AB         |          | C         | Capacitor(50WV 47μF) [C55]     |
| 11                    | VCEAGA1HW336M | AB         |          | C         | Capacitor(50WV 33μF) [C57]     |
| 12                    | VCEAGA1HW107M | AA         |          | C         | Capacitor(50WV 100μF) [C58]    |
| 13                    | VCKYTV1CF105Z | AB         |          | C         | Capacitor(16WV 1μF) [C102]     |
| 14                    | VCKYTQ1HF104Z | AA         |          | C         | Capacitor(50WV 0.1μF) [C103]   |
| 15                    | VCKYTV1EF104Z | AA         |          | C         | Capacitor(25WV 0.1μF) [C104]   |
| 16                    | VCKYTV1EF104Z | AA         |          | C         | Capacitor(25WV 0.1μF) [C105]   |
| 17                    | VCKYTV1CF105Z | AB         |          | C         | Capacitor(16WV 1μF) [C107]     |
| 18                    | VCKYTV1EF104Z | AA         |          | C         | Capacitor(25WV 0.1μF) [C108]   |
| 19                    | VCCCTV1HH330J | AA         |          | C         | Capacitor(50WV 33PF) [C109]    |
| 20                    | VCKYTV1HB103K | AB         |          | C         | Capacitor(50WV 0.01μF) [C110]  |
| 21                    | VCKYTV1HB103K | AB         |          | C         | Capacitor(50WV 0.01μF) [C111]  |
| 22                    | VCKYTV1EF104Z | AA         |          | C         | Capacitor(25WV 0.1μF) [C112]   |
| 23                    | VCKYTV1HB472K | AA         |          | C         | Capacitor(50WV 4700PF) [C114]  |
| 24                    | VCKYTV1HB103K | AB         |          | C         | Capacitor(50WV 0.01μF) [C115]  |
| 25                    | VCKYTV1HB102K | AA         |          | C         | Capacitor(50WV 0.001μF) [C116] |
| 26                    | VCKYTV1HB102K | AA         |          | C         | Capacitor(50WV 0.001μF) [C117] |
| 27                    | VCKYTV1HB102K | AA         |          | C         | Capacitor(50WV 0.001μF) [C118] |
| 28                    | VCKYTV1HB102K | AA         |          | C         | Capacitor(50WV 0.001μF) [C119] |
| 29                    | VCKYTV1HB102K | AA         |          | C         | Capacitor(50WV 0.001μF) [C120] |
| 30                    | VCKYTV1HB222K | AA         |          | C         | Capacitor(50WV 2200PF) [C122]  |
| 31                    | VCKYTV1HB222K | AA         |          | C         | Capacitor(50WV 2200PF) [C123]  |
| 32                    | VCKYTV1EF104Z | AA         |          | C         | Capacitor(25WV 0.1μF) [C125]   |
| 33                    | VCKYTV1EF104Z | AA         |          | C         | Capacitor(25WV 0.1μF) [C130]   |
| 34                    | VCCCTV1HH150J | AA         |          | C         | Capacitor(50WV 15PF) [C131]    |
| 35                    | VCCCTV1HH150J | AA         |          | C         | Capacitor(50WV 15PF) [C132]    |
| 36                    | VCKYTV1EF104Z | AA         |          | C         | Capacitor(25WV 0.1μF) [C135]   |
| 37                    | VCKYTV1EF104Z | AA         |          | C         | Capacitor(25WV 0.1μF) [C136]   |
| 38                    | VCKYTV1EF104Z | AA         |          | C         | Capacitor(25WV 0.1μF) [C137]   |
| 39                    | VCKYTV1CF105Z | AB         |          | C         | Capacitor(16WV 1μF) [C138]     |
| 40                    | VCKYTV1CF105Z | AB         |          | C         | Capacitor(16WV 1μF) [C139]     |
| 41                    | VCKYTV1EF104Z | AA         |          | C         | Capacitor(25WV 0.1μF) [C140]   |
| 42                    | VCKYTV1HB222K | AA         |          | C         | Capacitor(50WV 2200PF) [C141]  |
| 43                    | VCKYTV1EF104Z | AA         |          | C         | Capacitor(25WV 0.1μF) [C142]   |
| 44                    | VCKYTV1HB222K | AA         |          | C         | Capacitor(50WV 2200PF) [C143]  |
| 45                    | VCCCTV1HH180J | AA         |          | C         | Capacitor(50WV 18PF) [C144]    |
| 46                    | VCCCTV1HH180J | AA         |          | C         | Capacitor(50WV 18PF) [C145]    |
| 47                    | VCKYTV1HB222K | AA         |          | C         | Capacitor(50WV 2200PF) [C146]  |
| 48                    | VCKYTV1EF104Z | AA         |          | C         | Capacitor(25WV 0.1μF) [C147]   |
| 49                    | VCKYTV1EF104Z | AA         |          | C         | Capacitor(25WV 0.1μF) [C148]   |
| 50                    | VCKYTV1EF104Z | AA         |          | C         | Capacitor(25WV 0.1μF) [C149]   |
| 51                    | VCKYTV1EF104Z | AA         |          | C         | Capacitor(25WV 0.1μF) [C150]   |
| 52                    | VCKYTV1EF104Z | AA         |          | C         | Capacitor(25WV 0.1μF) [C151]   |
| 53                    | VCKYTV1EF104Z | AA         |          | C         | Capacitor(25WV 0.1μF) [C152]   |
| 54                    | VCKYTV1EF104Z | AA         |          | C         | Capacitor(25WV 0.1μF) [C153]   |
| 55                    | VCKYTV1EF104Z | AA         |          | C         | Capacitor(25WV 0.1μF) [C154]   |
| 56                    | VCCCTV1HH100D | AA         |          | C         | Capacitor(50WV 10PF) [C155]    |
| 57                    | VCCCTV1HH100D | AA         |          | C         | Capacitor(50WV 10PF) [C156]    |
| 58                    | VCKYTV1EF104Z | AA         |          | C         | Capacitor(25WV 0.1μF) [C157]   |
| 59                    | VCKYTV1HB222K | AA         |          | C         | Capacitor(50WV 2200PF) [C158]  |
| 60                    | VCKYTV1EF104Z | AA         |          | C         | Capacitor(25WV 0.1μF) [C159]   |
| 61                    | VCKYTV1HB222K | AA         |          | C         | Capacitor(50WV 2200PF) [C160]  |
| 62                    | VCKYTV1HB103K | AB         |          | C         | Capacitor(25WV 0.01μF) [C163]  |
| 63                    | VCKYTV1HB103K | AB         |          | C         | Capacitor(25WV 0.01μF) [C164]  |
| 64                    | VCCCTV1HH330J | AA         |          | C         | Capacitor(50WV 330F) [C165]    |
| 65                    | VCCSTV1HL471J | AC         |          | C         | Capacitor(50WV 470PF) [C166]   |
| 66                    | VCKYTV1CF105Z | AB         |          | C         | Capacitor(16WV 1μF) [C167]     |
| 67                    | VCKYTV1CF105Z | AB         |          | C         | Capacitor(16WV 1μF) [C168]     |
| 68                    | VCCSTV1HL102J | AA         |          | C         | Capacitor(50WV 1000PF) [C169]  |
| 69                    | VCCCTV1HH150J | AA         |          | C         | Capacitor(50WV 15PF) [C170]    |
| 70                    | VCCCTV1HH150J | AA         |          | C         | Capacitor(50WV 15PF) [C171]    |
| 71                    | VCKYTV1EF104Z | AA         |          | C         | Capacitor(25WV 0.1μF) [C172]   |
| 72                    | VCKYTV1HB103K | AB         |          | C         | Capacitor(25WV 0.01μF) [C173]  |
| 73                    | VCKYTV1HB103K | AB         |          | C         | Capacitor(25WV 0.01μF) [C174]  |
| 74                    | VCKYTV1HB102K | AA         |          | C         | Capacitor(50WV 1000PF) [C175]  |
| 75                    | VCKYTV1EF104Z | AA         |          | C         | Capacitor(25WV 0.1μF) [C176]   |
| 76                    | VCKYTV1EF104Z | AA         |          | C         | Capacitor(25WV 0.1μF) [C177]   |
| 77                    | VCKYTV1HB222K | AA         |          | C         | Capacitor(50WV 2200PF) [C180]  |
| 78                    | VCKYTV1EF104Z | AA         |          | C         | Capacitor(25WV 0.1μF) [C181]   |
| 79                    | VCCSTV1HL102J | AA         |          | C         | Capacitor(50WV 1000PF) [C182]  |
| 80                    | VCKYTQ1HF104Z | AA         |          | C         | Capacitor(50WV 0.1μF) [C183]   |

| NO.                          | PARTS CODE    | PRICE RANK | NEW MARK | PART RANK | DESCRIPTION            |          |
|------------------------------|---------------|------------|----------|-----------|------------------------|----------|
| <b>[10] Control PWB unit</b> |               |            |          |           |                        |          |
| 81                           | VCCSTV1HL681J | AB         |          | C         | Capacitor(50WV 680PF)  | [C184]   |
| 82                           | VCKYTV1CF225Z | AD         |          | C         | Capacitor(16WV 2.2μF)  | [C185]   |
| 83                           | VCKYTV1CF105Z | AB         |          | C         | Capacitor(16WV 1μF)    | [C186]   |
| 84                           | VCKYTV1EF104Z | AA         |          | C         | Capacitor(25WV 0.1μF)  | [C187]   |
| 85                           | VCCSTV1HL391J | AA         |          | C         | Capacitor(50WV 390PF)  | [C188]   |
| 86                           | VCKYTV1CF225Z | AD         |          | C         | Capacitor(16WV 2.2μF)  | [C189]   |
| 87                           | VCKYTV1EF104Z | AA         |          | C         | Capacitor(25WV 0.1μF)  | [C190]   |
| 88                           | VCKYTV1EF104Z | AA         |          | C         | Capacitor(25WV 0.1μF)  | [C191]   |
| 89                           | VCKYTV1HB222K | AA         |          | C         | Capacitor(50WV 2200PF) | [C192]   |
| 90                           | VCKYTV1HB222K | AA         |          | C         | Capacitor(50WV 2200PF) | [C193]   |
| 91                           | VCKYTV1HB222K | AA         |          | C         | Capacitor(50WV 2200PF) | [C194]   |
| 92                           | VCKYTV1HB103K | AB         |          | C         | Capacitor(25WV 0.01μF) | [C195]   |
| 93                           | VCKYTV1EF104Z | AA         |          | C         | Capacitor(25WV 0.1μF)  | [C197]   |
| 94                           | VCKYTV1EF104Z | AA         |          | C         | Capacitor(25WV 0.1μF)  | [C198]   |
| 95                           | VCKYTV1CF105Z | AB         |          | C         | Capacitor(16WV 1μF)    | [C199]   |
| 96                           | VCKYTV1CF105Z | AB         |          | C         | Capacitor(16WV 1μF)    | [C200]   |
| 97                           | VCCSTV1HL331J | AA         |          | C         | Capacitor(50WV 330PF)  | [C201]   |
| 98                           | VCKYTV1EF104Z | AA         |          | C         | Capacitor(25WV 0.1μF)  | [C202]   |
| 99                           | VCCCTV1HH100D | AA         |          | C         | Capacitor(50WV 10PF)   | [C203]   |
| 100                          | VCCCTV1HH100D | AA         |          | C         | Capacitor(50WV 10PF)   | [C204]   |
| 101                          | VCKYTV1HB222K | AA         |          | C         | Capacitor(50WV 2200PF) | [C205]   |
| 102                          | VCKYTV1EF104Z | AA         |          | C         | Capacitor(25WV 0.1μF)  | [C206]   |
| 103                          | VCKYTV1CF105Z | AB         |          | C         | Capacitor(16WV 1μF)    | [C207]   |
| 104                          | VCKYTV1EF104Z | AA         |          | C         | Capacitor(25WV 0.1μF)  | [C208]   |
| 105                          | VCKYTV1EF104Z | AA         |          | C         | Capacitor(25WV 0.1μF)  | [C209]   |
| 106                          | VCKYTV1EF104Z | AA         |          | C         | Capacitor(25WV 0.1μF)  | [C210]   |
| 107                          | VCKYTV1EF104Z | AA         |          | C         | Capacitor(25WV 0.1μF)  | [C211]   |
| 108                          | VCKYTV1HB102K | AA         |          | C         | Capacitor(50WV 1000PF) | [C212]   |
| 109                          | VCKYTV1CF105Z | AB         |          | C         | Capacitor(16WV 1μF)    | [C213]   |
| 110                          | VCKYTV1EF104Z | AA         |          | C         | Capacitor(25WV 0.1μF)  | [C214]   |
| 111                          | VCKYTV1EF104Z | AA         |          | C         | Capacitor(25WV 0.1μF)  | [C215]   |
| 112                          | VCKYTV1CF105Z | AB         |          | C         | Capacitor(25WV 1μF)    | [C216]   |
| 113                          | VCKYTV1EF104Z | AA         |          | C         | Capacitor(25WV 0.1μF)  | [C217]   |
| 114                          | VCKYTV1EF104Z | AA         |          | C         | Capacitor(25WV 0.1μF)  | [C218]   |
| 115                          | VCKYTV1CF105Z | AB         |          | C         | Capacitor(25WV 1μF)    | [C219]   |
| 116                          | VCKYTV1EF104Z | AA         |          | C         | Capacitor(25WV 0.1μF)  | [C220]   |
| 117                          | VCKYTV1EF104Z | AA         |          | C         | Capacitor(25WV 0.1μF)  | [C221]   |
| 118                          | VCKYTV1CF105Z | AB         |          | C         | Capacitor(25WV 1μF)    | [C222]   |
| 119                          | VCCSTV1HL331J | AA         |          | C         | Capacitor(50WV 330PF)  | [C226]   |
| 120                          | VCKYTV1HB102K | AA         |          | C         | Capacitor(50WV 1000PF) | [C228]   |
| 121                          | VCKYTV1HB102K | AA         |          | C         | Capacitor(50WV 1000PF) | [C229]   |
| 122                          | VCKYTV1HB102K | AA         |          | C         | Capacitor(50WV 1000PF) | [C230]   |
| 123                          | VCKYTV1HB102K | AA         |          | C         | Capacitor(50WV 1000PF) | [C231]   |
| 124                          | VCKYTV1HB102K | AA         |          | C         | Capacitor(50WV 1000PF) | [C232]   |
| 125                          | VCKYTV1HB102K | AA         |          | C         | Capacitor(50WV 1000PF) | [C233]   |
| 126                          | VCKYTV1HB102K | AA         |          | C         | Capacitor(50WV 1000PF) | [C234]   |
| 127                          | VCKYTV1HB102K | AA         |          | C         | Capacitor(50WV 1000PF) | [C235]   |
| 128                          | VCKYTV1HB102K | AA         |          | C         | Capacitor(50WV 1000PF) | [C236]   |
| 129                          | VCKYTV1HB102K | AA         |          | C         | Capacitor(50WV 1000PF) | [C237]   |
| 130                          | VCKYTV1HB102K | AA         |          | C         | Capacitor(50WV 1000PF) | [C238]   |
| 131                          | VCKYTV1HB102K | AA         |          | C         | Capacitor(50WV 1000PF) | [C239]   |
| 132                          | VCKYTV1HB102K | AA         |          | C         | Capacitor(50WV 1000PF) | [C240]   |
| 133                          | QCNCM7014SC0G | AB         |          | C         | Connector(7pin)        | [CNCIS]  |
| 134                          | QCNCM7014SC0E | AB         |          | C         | Connector(5pin)        | [CNIR]   |
| 135                          | QCNCM2499SC1D | AG         |          | C         | Connector(14pin)       | [CNLIUA] |
| 136                          | QCNCM7014SC0F | AB         |          | C         | Connector(6pin)        | [CNMM]   |
| 137                          | QCNCW0946FCZZ | AH         |          | C         | Connector(36pin)       | [CNPC]   |
| 138                          | QCNCM2401SC0F | AB         |          | C         | Connector(6pin)        | [CNPHOT] |
| 139                          | QCNCM2482SC2J | AE         |          | C         | Connector(20pin)       | [CNPNI]  |
| 140                          | QCNCM2482SC2H | AG         | N        | C         | Connector(28pin)       | [CNPRT]  |
| 141                          | QCNCM2499SC0H | AE         |          | C         | Connector(8pin)        | [CNPW]   |
| 142                          | QCNCM7014SC0B | AD         |          | C         | Connector(2pin)        | [CNSP]   |
| 143                          | VHDDA204K/-1  | AC         |          | B         | Diode(DA204K)          | [D101]   |
| 144                          | VHDDA204K/-1  | AC         |          | B         | Diode(DA204K)          | [D102]   |
| 145                          | VHD1SS355/-1  | AB         |          | B         | Diode(1SS355)          | [D103]   |
| 146                          | VHDB411D/-1   | AD         |          | B         | Diode(RB411D)          | [D104]   |
| 147                          | VHDB411D/-1   | AD         |          | B         | Diode(RB411D)          | [D105]   |
| 148                          | VHDB411D/-1   | AD         |          | B         | Diode(RB411D)          | [D110]   |
| 149                          | VHDB411D/-1   | AD         |          | B         | Diode(RB411D)          | [D111]   |
| 150                          | VHDB411D/-1   | AD         |          | B         | Diode(RB411D)          | [D116]   |
| 151                          | VHDB411D/-1   | AD         |          | B         | Diode(RB411D)          | [D117]   |
| 152                          | VHDB411D/-1   | AD         |          | B         | Diode(RB411D)          | [D118]   |
| 153                          | VHDB411D/-1   | AD         |          | B         | Diode(RB411D)          | [D119]   |
| 154                          | VHDB411D/-1   | AD         |          | B         | Diode(RB411D)          | [D121]   |
| 155                          | VHDB411D/-1   | AD         |          | B         | Diode(RB411D)          | [D122]   |
| 156                          | VHDB411D/-1   | AD         |          | B         | Diode(RB411D)          | [D123]   |
| 157                          | VHDB411D/-1   | AD         |          | B         | Diode(RB411D)          | [D124]   |
| 158                          | VHDB411D/-1   | AD         |          | B         | Diode(RB411D)          | [D125]   |
| 159                          | VHD1SS355/-1  | AB         |          | B         | Diode(1SS355)          | [D126]   |
| 160                          | VHDB411D/-1   | AD         |          | B         | Diode(RB411D)          | [D127]   |



| NO.                   | PARTS CODE     | PRICE RANK | NEW MARK | PART RANK | DESCRIPTION             |         |
|-----------------------|----------------|------------|----------|-----------|-------------------------|---------|
| [10] Control PWB unit |                |            |          |           |                         |         |
| 161                   | VHDRB411D/-1   | AD         |          | B         | Diode(RB411D)           | [D128]  |
| 162                   | VHDRB411D/-1   | AD         |          | B         | Diode(RB411D)           | [D129]  |
| 163                   | VHDRB411D/-1   | AD         |          | B         | Diode(RB411D)           | [D131]  |
| 164                   | VHDRB411D/-1   | AD         |          | B         | Diode(RB411D)           | [D132]  |
| 165                   | VHDRB411D/-1   | AD         |          | B         | Diode(RB411D)           | [D133]  |
| 166                   | VHDRB411D/-1   | AD         |          | B         | Diode(RB411D)           | [D134]  |
| 167                   | VHDRB411D/-1   | AD         |          | B         | Diode(RB411D)           | [D135]  |
| 168                   | VHDRB411D/-1   | AD         |          | B         | Diode(RB411D)           | [D136]  |
| 169                   | VHDDAP202U/-1  | AB         |          | B         | Diode(DAP202U)          | [D137]  |
| 170                   | VHDRB411D/-1   | AD         |          | B         | Diode(RB411D)           | [D139]  |
| 171                   | VHDRB411D/-1   | AD         |          | B         | Diode(RB411D)           | [D140]  |
| 172                   | VHDRB411D/-1   | AD         |          | B         | Diode(RB411D)           | [D141]  |
| 173                   | VHDRB411D/-1   | AD         |          | B         | Diode(RB411D)           | [D147]  |
| 174                   | VHVICPS07/-1   | AA         |          | B         | Varistor(ICP-S07)       | [F1]    |
| 175                   | VHIAD8051/-1   | AN         | N        | B         | IC(AD8051)              | [IC1]   |
| 176                   | VHIULN2003AN/  | AE         |          | B         | IC(ULN2003ANS)          | [IC2]   |
| 177                   | VHIHECF4066BF  | AF         |          | B         | IC(HECF4066)            | [IC3]   |
| 178                   | VHIMC14053DR2  | AG         |          | B         | IC(MC14053DR2)          | [IC5]   |
| 179                   | VHIHD74LS08-1  | AD         |          | B         | IC(HD74LS08)            | [IC6]   |
| 180                   | VHI74HCU04S-1  | AF         | N        | B         | IC(74HCU04)             | [IC7]   |
| 181                   | VHILC82103/-1  | BA         |          | B         | IC(LC82103)             | [IC8]   |
| 182                   | VHIHECF4066BF  | AF         |          | B         | IC(HECF4066)            | [IC9]   |
| 183                   | VHILZ9FJ49/-1  | AV         | N        | B         | IC(LZ9FJ49)             | [IC10]  |
| 184                   | VHI74HCU04S-1  | AF         | N        | B         | IC(74HCU04)             | [IC11]  |
| 185                   | VHISH7040/-1   | BD         | N        | B         | IC(SH7040)              | [IC12]  |
| 186                   | VHISN74HC14NSR | AE         | N        | B         | IC(74HC14)              | [IC13]  |
| 187                   | VHINJM2902M-1  | AF         |          | B         | IC(NJM2902M)            | [IC14]  |
| 188                   | VHIR144AFXL1   | BM         |          | B         | IC(R144EFL)             | [IC15]  |
| 189                   | RH-IX2129SCZZ  | AY         |          | B         | IC(IX2129)              | [IC16]  |
| 190                   | VHIS2B257SL70  | AL         |          | B         | IC(S2B257SL70)          | [IC17]  |
| 191                   | QSOCZ2051SC32  | AC         |          | C         | IC socket(32pin)        | [IC18]  |
| 192                   | VHI27040FBS0H  | AZ         |          | B         | IC,EP ROM(4Mbit)        | [IC18]  |
| 193                   | QSOCZ2051SC32  | AC         |          | C         | IC socket(32pin)        | [IC19]  |
| 194                   | VHI27040FBS1H  | AZ         |          | B         | IC,EP ROM(4Mbit)        | [IC19]  |
| 195                   | VHISN74LS245N  | AR         |          | B         | IC(74LS245)             | [IC20]  |
| 196                   | VHISN74LS244NR | AG         |          | B         | IC(SN74LS244)           | [IC21]  |
| 197                   | VHISN74LS244NR | AG         |          | B         | IC(SN74LS244)           | [IC22]  |
| 198                   | RH-IX2129SCZZ  | AY         |          | B         | IC(IX2129)              | [IC23]  |
| 199                   | VHIS2B257SL70  | AL         |          | B         | IC(S2B257SL70)          | [IC24]  |
| 200                   | VHISN74HC04NSR | AE         | N        | B         | IC(HC04)                | [IC25]  |
| 201                   | VHISN74HC164NR | AF         | N        | B         | IC(HC164)               | [IC26]  |
| 202                   | VHINJU6355E-1  | AM         |          | B         | IC(NJU6355M)            | [IC27]  |
| 203                   | VHINJM2113M-1  | AG         |          | B         | IC(NJM2113M)            | [IC28]  |
| 204                   | VHIPST596CMT1  | AF         |          | B         | IC(PST596CNR)           | [IC102] |
| 205                   | VRS-TV2AB680J  | AA         |          | C         | Resistor(1/10W 68 ±5%)  | [L100]  |
| 206                   | VRS-TV2AB680J  | AA         |          | C         | Resistor(1/10W 68 ±5%)  | [L101]  |
| 207                   | VRS-TQ2BB000J  | AA         |          | C         | Resistor(1/8W 0 ±5%)    | [L102]  |
| 208                   | VRS-TQ2BB000J  | AA         |          | C         | Resistor(1/8W 0 ±5%)    | [L103]  |
| 209                   | VRS-TV2AB000J  | AA         |          | C         | Resistor(1/10W 0 ±5%)   | [L104]  |
| 210                   | VRS-TV2AB000J  | AA         |          | C         | Resistor(1/10W 0 ±5%)   | [L105]  |
| 211                   | VRS-TV2AB000J  | AA         |          | C         | Resistor(1/10W 0 ±5%)   | [L106]  |
| 212                   | VSDTA114EK/-1  | AB         |          | B         | Transistor(DTA114EK)    | [Q100]  |
| 213                   | VSDTC114EK/-1  | AB         |          | B         | Transistor(DTC114EK)    | [Q101]  |
| 214                   | VSDTC114EK/-1  | AB         |          | B         | Transistor(DTC114EK)    | [Q102]  |
| 215                   | VSDTC114EK/-1  | AB         |          | B         | Transistor(DTC114EK)    | [Q103]  |
| 216                   | VS2SA1037KR-1  | AB         |          | B         | Transistor              | [Q104]  |
| 217                   | VRD-HT2EY100J  | AA         |          | C         | Resistor(1/4W 10 ±5%)   | [R3]    |
| 218                   | VRS-TV2AB330J  | AD         |          | C         | Resistor(1/10W 33 ±5%)  | [R102]  |
| 219                   | VRS-TV2AB101J  | AA         |          | C         | Resistor(1/10W 100 ±5%) | [R103]  |
| 220                   | VRS-TV2AB101J  | AA         |          | C         | Resistor(1/10W 100 ±5%) | [R104]  |
| 221                   | VRS-TV2AB101J  | AA         |          | C         | Resistor(1/10W 100 ±5%) | [R105]  |
| 222                   | VRS-TV2AB101J  | AA         |          | C         | Resistor(1/10W 100 ±5%) | [R106]  |
| 223                   | VRS-TV2AB101J  | AA         |          | C         | Resistor(1/10W 100 ±5%) | [R107]  |
| 224                   | VRS-TV2AB101J  | AA         |          | C         | Resistor(1/10W 100 ±5%) | [R108]  |
| 225                   | VRS-TV2AB101J  | AA         |          | C         | Resistor(1/10W 100 ±5%) | [R109]  |
| 226                   | VRS-TV2AB101J  | AA         |          | C         | Resistor(1/10W 100 ±5%) | [R110]  |
| 227                   | VRS-TV2AB101J  | AA         |          | C         | Resistor(1/10W 100 ±5%) | [R111]  |
| 228                   | VRS-TV2AB271J  | AA         |          | C         | Resistor(1/10W 270 ±5%) | [R112]  |
| 229                   | VRS-TV2AB271J  | AA         |          | C         | Resistor(1/10W 270 ±5%) | [R113]  |
| 230                   | VRS-TV2AB471J  | AA         |          | C         | Resistor(1/10W 470 ±5%) | [R114]  |
| 231                   | VRS-TV2AB471J  | AA         |          | C         | Resistor(1/10W 470 ±5%) | [R115]  |
| 232                   | VRS-TV2AB471J  | AA         |          | C         | Resistor(1/10W 470 ±5%) | [R116]  |
| 233                   | VRS-TV2AB471J  | AA         |          | C         | Resistor(1/10W 470 ±5%) | [R117]  |
| 234                   | VRS-TV2AB471J  | AA         |          | C         | Resistor(1/10W 470 ±5%) | [R118]  |
| 235                   | VCKYTV1CF105Z  | AB         |          | C         | Capacitor(25WV 1µF)     | [R119]  |
| 236                   | VCKYTV1CF105Z  | AB         |          | C         | Capacitor(25WV 1µF)     | [R120]  |
| 237                   | VCKYTV1CF105Z  | AB         |          | C         | Capacitor(25WV 1µF)     | [R121]  |
| 238                   | VRS-TV2AB103J  | AA         |          | C         | Resistor(1/10W 10K ±5%) | [R122]  |
| 239                   | VRS-TV2AB102J  | AA         |          | C         | Resistor(1/10W 1K ±5%)  | [R125]  |
| 240                   | VRS-TV2AB000J  | AA         |          | C         | Resistor(1/10W 0 ±5%)   | [R127]  |

| NO.                   | PARTS CODE    | PRICE RANK | NEW MARK | PART RANK | DESCRIPTION              |        |
|-----------------------|---------------|------------|----------|-----------|--------------------------|--------|
| [10] Control PWB unit |               |            |          |           |                          |        |
| 241                   | VRS-TV2AB000J | AA         |          | C         | Resistor(1/10W 0 ±5%)    | [R130] |
| 242                   | VRS-TV2AB000J | AA         |          | C         | Resistor(1/10W 0 ±5%)    | [R131] |
| 243                   | VRS-TV2AB000J | AA         |          | C         | Resistor(1/10W 0 ±5%)    | [R132] |
| 244                   | VRS-TV2AB103J | AA         |          | C         | Resistor(1/10W 10K ±5%)  | [R135] |
| 245                   | VRS-TV2AB330J | AD         |          | C         | Resistor(1/10W 33 ±5%)   | [R136] |
| 246                   | VRS-TV2AB330J | AD         |          | C         | Resistor(1/10W 33 ±5%)   | [R137] |
| 247                   | VRS-TV2AB103J | AA         |          | C         | Resistor(1/10W 10K ±5%)  | [R138] |
| 248                   | VRS-TV2AB203J | AA         |          | C         | Resistor(1/10W 20K ±5%)  | [R139] |
| 249                   | VRS-TV2AB102J | AA         |          | C         | Resistor(1/10W 1K ±5%)   | [R140] |
| 250                   | VRS-TV2AB103J | AA         |          | C         | Resistor(1/10W 10K ±5%)  | [R141] |
| 251                   | VRS-TV2AB203J | AA         |          | C         | Resistor(1/10W 20K ±5%)  | [R142] |
| 252                   | VRS-TV2AB101J | AA         |          | C         | Resistor(1/10W 100 ±5%)  | [R145] |
| 253                   | VRS-TV2AB101J | AA         |          | C         | Resistor(1/10W 100 ±5%)  | [R147] |
| 254                   | VRS-TV2AB101J | AA         |          | C         | Resistor(1/10W 100 ±5%)  | [R149] |
| 255                   | VRS-TV2AB101J | AA         |          | C         | Resistor(1/10W 100 ±5%)  | [R151] |
| 256                   | VRS-TV2AB101J | AA         |          | C         | Resistor(1/10W 100 ±5%)  | [R153] |
| 257                   | VRS-TV2AB101J | AA         |          | C         | Resistor(1/10W 100 ±5%)  | [R155] |
| 258                   | VRS-TV2AB101J | AA         |          | C         | Resistor(1/10W 100 ±5%)  | [R157] |
| 259                   | VRS-TV2AB101J | AA         |          | C         | Resistor(1/10W 100 ±5%)  | [R159] |
| 260                   | VRS-TV2AB271J | AA         |          | C         | Resistor(1/10W 270 ±5%)  | [R160] |
| 261                   | VRS-TV2AB271J | AA         |          | C         | Resistor(1/10W 270 ±5%)  | [R161] |
| 262                   | VRS-TV2AB103J | AA         |          | C         | Resistor(1/10W 10K ±5%)  | [R162] |
| 263                   | VRS-TV2AB271J | AA         |          | C         | Resistor(1/10W 270 ±5%)  | [R165] |
| 264                   | VRS-TV2AB302J | AA         |          | C         | Resistor(1/10W 3K ±5%)   | [R166] |
| 265                   | VRS-TV2AB271J | AA         |          | C         | Resistor(1/10W 270 ±5%)  | [R167] |
| 266                   | VRS-TV2AB271J | AA         |          | C         | Resistor(1/10W 270 ±5%)  | [R169] |
| 267                   | VRS-TV2AB271J | AA         |          | C         | Resistor(1/10W 270 ±5%)  | [R170] |
| 268                   | VRS-TV2AB000J | AA         |          | C         | Resistor(1/10W 0 ±5%)    | [R171] |
| 269                   | VRS-TV2AB271J | AA         |          | C         | Resistor(1/10W 270 ±5%)  | [R172] |
| 270                   | VRS-TV2AB302J | AA         |          | C         | Resistor(1/10W 3K ±5%)   | [R173] |
| 271                   | VRS-TV2AB302J | AA         |          | C         | Resistor(1/10W 3K ±5%)   | [R174] |
| 272                   | VRS-TV2AB000J | AA         |          | C         | Resistor(1/10W 0 ±5%)    | [R179] |
| 273                   | VRS-TV2AB000J | AA         |          | C         | Resistor(1/10W 0 ±5%)    | [R184] |
| 274                   | VRS-TV2AB000J | AA         |          | C         | Resistor(1/10W 0 ±5%)    | [R191] |
| 275                   | VRS-TV2AB000J | AA         |          | C         | Resistor(1/10W 0 ±5%)    | [R192] |
| 276                   | VRS-TV2AB203J | AA         |          | C         | Resistor(1/10W 20K ±5%)  | [R193] |
| 277                   | VRS-TV2AB102J | AA         |          | C         | Resistor(1/10W 1K ±5%)   | [R194] |
| 278                   | VRS-TV2AB102J | AA         |          | C         | Resistor(1/10W 1K ±5%)   | [R195] |
| 279                   | VRS-TV2AB103J | AA         |          | C         | Resistor(1/10W 10K ±5%)  | [R204] |
| 280                   | VRS-TV2AB103J | AA         |          | C         | Resistor(1/10W 10K ±5%)  | [R205] |
| 281                   | VRS-TV2AB103J | AA         |          | C         | Resistor(1/10W 10K ±5%)  | [R206] |
| 282                   | VRS-TV2AB103J | AA         |          | C         | Resistor(1/10W 10K ±5%)  | [R207] |
| 283                   | VRS-TV2AB103J | AA         |          | C         | Resistor(1/10W 10K ±5%)  | [R208] |
| 284                   | VRS-TV2AB101J | AA         |          | C         | Resistor(1/10W 100 ±5%)  | [R209] |
| 285                   | VRS-TV2AB201J | AA         |          | C         | Resistor(1/10W 200 ±5%)  | [R210] |
| 286                   | VRS-TV2AB105J | AA         |          | C         | Resistor(1/10W 1.0M ±5%) | [R211] |
| 287                   | VRS-TV2AB101J | AA         |          | C         | Resistor(1/10W 100 ±5%)  | [R212] |
| 288                   | VRS-TV2AB102J | AA         |          | C         | Resistor(1/10W 1K ±5%)   | [R213] |
| 289                   | VRS-TV2AB101J | AA         |          | C         | Resistor(1/10W 100 ±5%)  | [R214] |
| 290                   | VRS-TV2AB271J | AA         |          | C         | Resistor(1/10W 270 ±5%)  | [R215] |
| 291                   | VRS-TV2AB103J | AA         |          | C         | Resistor(1/10W 10K ±5%)  | [R216] |
| 292                   | VRS-TV2AB000J | AA         |          | C         | Resistor(1/10W 0 ±5%)    | [R217] |
| 293                   | VRS-TV2AB562J | AA         |          | C         | Resistor(1/10W 5.6K ±5%) | [R218] |
| 294                   | VRS-TV2AB333J | AD         |          | C         | Resistor(1/10W 33K ±5%)  | [R219] |
| 295                   | VRS-TV2AB183J | AD         |          | C         | Resistor(1/10W 18K ±5%)  | [R220] |
| 296                   | VRS-TV2AB302J | AA         |          | C         | Resistor(1/10W 3K ±5%)   | [R221] |
| 297                   | VRS-TV2AB103J | AA         |          | C         | Resistor(1/10W 10K ±5%)  | [R222] |
| 298                   | VRS-TV2AB623J | AA         |          | C         | Resistor(1/10W 62K ±5%)  | [R223] |
| 299                   | VRS-TV2AB000J | AA         |          | C         | Resistor(1/10W 0 ±5%)    | [R225] |
| 300                   | VRS-TV2AB302J | AA         |          | C         | Resistor(1/10W 3K ±5%)   | [R226] |
| 301                   | VRS-TV2AB103J | AA         |          | C         | Resistor(1/10W 10K ±5%)  | [R227] |
| 302                   | VRS-TV2AB103J | AA         |          | C         | Resistor(1/10W 10K ±5%)  | [R228] |
| 303                   | VRS-TV2AB101J | AA         |          | C         | Resistor(1/10W 100 ±5%)  | [R229] |
| 304                   | VRS-TV2AB103J | AA         |          | C         | Resistor(1/10W 10K ±5%)  | [R230] |
| 305                   | VRS-TV2AB103J | AA         |          | C         | Resistor(1/10W 10K ±5%)  | [R232] |
| 306                   | VRS-TV2AB103J | AA         |          | C         | Resistor(1/10W 10K ±5%)  | [R233] |
| 307                   | VRS-TV2AB103J | AA         |          | C         | Resistor(1/10W 10K ±5%)  | [R234] |
| 308                   | VRS-TV2AB103J | AA         |          | C         | Resistor(1/10W 10K ±5%)  | [R235] |
| 309                   | RCILZ2133SCZZ | AC         |          | C         | Coil,Inductor            | [R236] |
| 310                   | RCILZ2133SCZZ | AC         |          | C         | Coil,Inductor            | [R237] |
| 311                   | VRS-TV2AB101J | AA         |          | C         | Resistor(1/10W 100 ±5%)  | [R238] |
| 312                   | VRS-TV2AB101J | AA         |          | C         | Resistor(1/10W 100 ±5%)  | [R239] |
| 313                   | VRS-TV2AB471J | AA         |          | C         | Resistor(1/10W 470 ±5%)  | [R240] |
| 314                   | VRS-TV2AB101J | AA         |          | C         | Resistor(1/10W 100 ±5%)  | [R241] |
| 315                   | VRS-TV2AB000J | AA         |          | C         | Resistor(1/10W 0 ±5%)    | [R242] |
| 316                   | VRS-TV2AB332J | AA         |          | C         | Resistor(1/10W 3.3K ±5%) | [R244] |
| 317                   | VRS-TV2AB000J | AA         |          | C         | Resistor(1/10W 0 ±5%)    | [R245] |
| 318                   | VRS-TV2AB103J | AA         |          | C         | Resistor(1/10W 10K ±5%)  | [R247] |
| 319                   | VRS-TV2AB302J | AA         |          | C         | Resistor(1/10W 3K ±5%)   | [R248] |
| 320                   | VRS-TV2AB103J | AA         |          | C         | Resistor(1/10W 10K ±5%)  | [R249] |

| NO.                   | PARTS CODE    | PRICE RANK | NEW MARK | PART RANK | DESCRIPTION               |        |
|-----------------------|---------------|------------|----------|-----------|---------------------------|--------|
| [10] Control PWB unit |               |            |          |           |                           |        |
| 321                   | VRS-TV2AB103J | AA         |          | C         | Resistor(1/10W 10K ±5%)   | [R250] |
| 322                   | VRS-TV2AB103J | AA         |          | C         | Resistor(1/10W 10K ±5%)   | [R251] |
| 323                   | VRS-TV2AB103J | AA         |          | C         | Resistor(1/10W 10K ±5%)   | [R252] |
| 324                   | VRS-TV2AB333J | AD         |          | C         | Resistor(1/10W 33K ±5%)   | [R261] |
| 325                   | VRS-TV2AB333J | AD         |          | C         | Resistor(1/10W 33K ±5%)   | [R262] |
| 326                   | VRS-TV2AB103J | AA         |          | C         | Resistor(1/10W 10K ±5%)   | [R263] |
| 327                   | VRS-TV2AB000J | AA         |          | C         | Resistor(1/10W 0 ±5%)     | [R264] |
| 328                   | VRSTS2AD8662F | AA         |          | C         | Resistor(1/10W 86.6K ±1%) | [R265] |
| 329                   | VRS-TV2AB302J | AA         |          | C         | Resistor(1/10W 3K ±5%)    | [R266] |
| 330                   | VRS-TV2AB105J | AA         |          | C         | Resistor(1/10W 1.0M ±5%)  | [R267] |
| 331                   | VRS-TV2AB102J | AA         |          | C         | Resistor(1/10W 1K ±5%)    | [R268] |
| 332                   | VRS-TV2AB103J | AA         |          | C         | Resistor(1/10W 10K ±5%)   | [R271] |
| 333                   | VRS-TV2AB103J | AA         |          | C         | Resistor(1/10W 10K ±5%)   | [R272] |
| 334                   | VRS-TV2AB103J | AA         |          | C         | Resistor(1/10W 10K ±5%)   | [R273] |
| 335                   | VRS-TV2AB000J | AA         |          | C         | Resistor(1/10W 0 ±5%)     | [R274] |
| 336                   | VRS-TV2AB000J | AA         |          | C         | Resistor(1/10W 0 ±5%)     | [R275] |
| 337                   | VRS-TV2AB103J | AA         |          | C         | Resistor(1/10W 10K ±5%)   | [R276] |
| 338                   | VRS-TV2AB103J | AA         |          | C         | Resistor(1/10W 10K ±5%)   | [R277] |
| 339                   | VRS-TV2AB101J | AA         |          | C         | Resistor(1/10W 100 ±5%)   | [R278] |
| 340                   | VRS-TV2AB333J | AD         |          | C         | Resistor(1/10W 33K ±5%)   | [R279] |
| 341                   | VRS-TV2AB103J | AA         |          | C         | Resistor(1/10W 10K ±5%)   | [R280] |
| 342                   | VRS-TV2AB000J | AA         |          | C         | Resistor(1/10W 0 ±5%)     | [R282] |
| 343                   | VRS-TV2AB000J | AA         |          | C         | Resistor(1/10W 0 ±5%)     | [R284] |
| 344                   | VRS-TV2AB103J | AA         |          | C         | Resistor(1/10W 10K ±5%)   | [R286] |
| 345                   | VRS-TV2AB103J | AA         |          | C         | Resistor(1/10W 10K ±5%)   | [R287] |
| 346                   | VRS-TV2AB471J | AA         |          | C         | Resistor(1/10W 470 ±5%)   | [R288] |
| 347                   | VRS-TV2AB103J | AA         |          | C         | Resistor(1/10W 10K ±5%)   | [R289] |
| 348                   | VRS-TV2AB271J | AA         |          | C         | Resistor(1/10W 270 ±5%)   | [R290] |
| 349                   | VRS-TV2AB103J | AA         |          | C         | Resistor(1/10W 10K ±5%)   | [R291] |
| 350                   | VRS-TV2AB333J | AD         |          | C         | Resistor(1/10W 33K ±5%)   | [R292] |
| 351                   | VRS-TV2AB471J | AA         |          | C         | Resistor(1/10W 470 ±5%)   | [R293] |
| 352                   | VRS-TV2AB103J | AA         |          | C         | Resistor(1/10W 10K ±5%)   | [R294] |
| 353                   | VRS-TV2AB102J | AA         |          | C         | Resistor(1/10W 1K ±5%)    | [R295] |
| 354                   | VRS-TV2AB103J | AA         |          | C         | Resistor(1/10W 10K ±5%)   | [R296] |
| 355                   | VRS-TV2AB472J | AA         |          | C         | Resistor(1/10W 4.7K ±5%)  | [R297] |
| 356                   | VRS-TQ2BB000J | AA         |          | C         | Resistor(1/8W 0 ±5%)      | [R299] |
| 357                   | VRS-TV2AB271J | AA         |          | C         | Resistor(1/10W 270 ±5%)   | [R300] |
| 358                   | VRS-TV2AB152J | AB         |          | C         | Resistor(1/10W 1.5K ±5%)  | [R301] |
| 359                   | VRS-TV2AB473J | AA         |          | C         | Resistor(1/10W 47K ±5%)   | [R302] |
| 360                   | VRS-TV2AB133J | AA         |          | C         | Resistor(1/10W 13K ±5%)   | [R303] |
| 361                   | VRSTS2AD8662F | AA         |          | C         | Resistor(1/10W 86.6K ±1%) | [R304] |
| 362                   | VRS-TV2AB103J | AA         |          | C         | Resistor(1/10W 10K ±5%)   | [R305] |
| 363                   | VRS-TV2AB332J | AA         |          | C         | Resistor(1/10W 3.3K ±5%)  | [R306] |
| 364                   | VRSTS2AD4752F | AA         |          | C         | Resistor(1/10W 47.5K ±1%) | [R308] |
| 365                   | VRS-TV2AB103J | AA         |          | C         | Resistor(1/10W 10K ±5%)   | [R309] |
| 366                   | VRS-TV2AB472J | AA         |          | C         | Resistor(1/10W 4.7K ±5%)  | [R310] |
| 367                   | VRS-TQ2BB200J | AA         |          | C         | Resistor(1/8W 20 ±5%)     | [R311] |
| 368                   | VRS-TV2AB100J | AD         |          | C         | Resistor(1/10W 10 ±5%)    | [R313] |
| 369                   | VRS-TV2AB470J | AA         |          | C         | Resistor(1/10W 47 ±5%)    | [R314] |
| 370                   | VRS-TV2AB470J | AA         |          | C         | Resistor(1/10W 47 ±5%)    | [R315] |
| 371                   | VRS-TV2AB100J | AD         |          | C         | Resistor(1/10W 10 ±5%)    | [R316] |
| 372                   | VRS-TV2AB103J | AA         |          | C         | Resistor(1/10W 10K ±5%)   | [R317] |
| 373                   | VRS-TV2AB103J | AA         |          | C         | Resistor(1/10W 10K ±5%)   | [R319] |
| 374                   | VRS-TV2AB103J | AA         |          | C         | Resistor(1/10W 10K ±5%)   | [R320] |
| 375                   | VRS-TV2AB103J | AA         |          | C         | Resistor(1/10W 10K ±5%)   | [R321] |
| 376                   | VRS-TV2AB000J | AA         |          | C         | Resistor(1/10W 0 ±5%)     | [R322] |
| 377                   | VRS-TV2AB103J | AA         |          | C         | Resistor(1/10W 10K ±5%)   | [R324] |
| 378                   | VRS-TV2AB103J | AA         |          | C         | Resistor(1/10W 10K ±5%)   | [R325] |
| 379                   | VRS-TV2AB103J | AA         |          | C         | Resistor(1/10W 10K ±5%)   | [R326] |
| 380                   | VRS-TV2AB101J | AA         |          | C         | Resistor(1/10W 100 ±5%)   | [R327] |
| 381                   | VRS-TV2AB103J | AA         |          | C         | Resistor(1/10W 10K ±5%)   | [R330] |
| 382                   | VRS-TV2AB103J | AA         |          | C         | Resistor(1/10W 10K ±5%)   | [R331] |
| 383                   | VRS-TV2AB103J | AA         |          | C         | Resistor(1/10W 10K ±5%)   | [R332] |
| 384                   | VRS-TV2AB101J | AA         |          | C         | Resistor(1/10W 100 ±5%)   | [R333] |
| 385                   | VRS-TV2AB103J | AA         |          | C         | Resistor(1/10W 10K ±5%)   | [R334] |
| 386                   | VRS-TV2AB101J | AA         |          | C         | Resistor(1/10W 100 ±5%)   | [R335] |
| 387                   | VRS-TV2AB000J | AA         |          | C         | Resistor(1/10W 0 ±5%)     | [R336] |
| 388                   | VRS-TV2AB000J | AA         |          | C         | Resistor(1/10W 0 ±5%)     | [R337] |
| 389                   | VRS-TV2AB000J | AA         |          | C         | Resistor(1/10W 0 ±5%)     | [R338] |
| 390                   | VRS-TV2AB103J | AA         |          | C         | Resistor(1/10W 10K ±5%)   | [R339] |
| 391                   | VRS-TV2AB103J | AA         |          | C         | Resistor(1/10W 10K ±5%)   | [R340] |
| 392                   | VRS-TV2AB103J | AA         |          | C         | Resistor(1/10W 10K ±5%)   | [R341] |
| 393                   | VRS-TV2AB103J | AA         |          | C         | Resistor(1/10W 10K ±5%)   | [R342] |
| 394                   | VRS-TV2AB103J | AA         |          | C         | Resistor(1/10W 10K ±5%)   | [R343] |
| 395                   | VRS-TV2AB103J | AA         |          | C         | Resistor(1/10W 10K ±5%)   | [R344] |
| 396                   | VRS-TV2AB102J | AA         |          | C         | Resistor(1/10W 1K ±5%)    | [R345] |
| 397                   | VRS-TV2AB103J | AA         |          | C         | Resistor(1/10W 10K ±5%)   | [R346] |
| 398                   | VRS-TV2AB471J | AA         |          | C         | Resistor(1/10W 470 ±5%)   | [R347] |
| 399                   | VRS-TV2AB103J | AA         |          | C         | Resistor(1/10W 10K ±5%)   | [R348] |
| 400                   | VRS-TV2AB102J | AA         |          | C         | Resistor(1/10W 1K ±5%)    | [R349] |

| NO.                   | PARTS CODE    | PRICE RANK | NEW MARK | PART RANK | DESCRIPTION               |        |
|-----------------------|---------------|------------|----------|-----------|---------------------------|--------|
| [10] Control PWB unit |               |            |          |           |                           |        |
| 401                   | VRS-TV2AB271J | AA         |          | C         | Resistor(1/10W 270 ±5%)   | [R350] |
| 402                   | VRS-TV2AB271J | AA         |          | C         | Resistor(1/10W 270 ±5%)   | [R351] |
| 403                   | VRS-TV2AB000J | AA         |          | C         | Resistor(1/10W 0 ±5%)     | [R354] |
| 404                   | VRS-TV2AB000J | AA         |          | C         | Resistor(1/10W 0 ±5%)     | [R355] |
| 405                   | VRS-TV2AB000J | AA         |          | C         | Resistor(1/10W 0 ±5%)     | [R356] |
| 406                   | VRS-TV2AB000J | AA         |          | C         | Resistor(1/10W 0 ±5%)     | [R357] |
| 407                   | VRS-TV2AB333J | AD         |          | C         | Resistor(1/10W 33K ±5%)   | [R359] |
| 408                   | VRSTS2AD1742F | AA         |          | C         | Resistor(1/10W 17.4K ±1%) | [R360] |
| 409                   | VRS-TV2AB100J | AD         |          | C         | Resistor(1/10W 10 ±5%)    | [R361] |
| 410                   | VRS-TV2AB100J | AD         |          | C         | Resistor(1/10W 10 ±5%)    | [R362] |
| 411                   | VRS-TV2AB100J | AD         |          | C         | Resistor(1/10W 10 ±5%)    | [R363] |
| 412                   | VRS-TV2AB100J | AD         |          | C         | Resistor(1/10W 10 ±5%)    | [R364] |
| 413                   | VRS-TV2AB100J | AD         |          | C         | Resistor(1/10W 10 ±5%)    | [R365] |
| 414                   | VRS-TV2AB103J | AA         |          | C         | Resistor(1/10W 10K ±5%)   | [R366] |
| 415                   | VRS-TV2AB103J | AA         |          | C         | Resistor(1/10W 10K ±5%)   | [R367] |
| 416                   | VRS-TV2AB103J | AA         |          | C         | Resistor(1/10W 10K ±5%)   | [R368] |
| 417                   | VRS-TV2AB154J | AB         |          | C         | Resistor(1/10W 150K ±5%)  | [R369] |
| 418                   | VRS-TV2AB104J | AA         |          | C         | Resistor(1/10W 100K ±5%)  | [R370] |
| 419                   | VRS-TV2AB103J | AA         |          | C         | Resistor(1/10W 10K ±5%)   | [R371] |
| 420                   | VRS-TV2AB102J | AA         |          | C         | Resistor(1/10W 1K ±5%)    | [R373] |
| 421                   | VRS-TV2AB102J | AA         |          | C         | Resistor(1/10W 1K ±5%)    | [R374] |
| 422                   | VRS-TV2AB000J | AA         |          | C         | Resistor(1/10W 0 ±5%)     | [R376] |
| 423                   | VRS-TV2AB271J | AA         |          | C         | Resistor(1/10W 270 ±5%)   | [R377] |
| 424                   | VRS-TV2AB271J | AA         |          | C         | Resistor(1/10W 270 ±5%)   | [R378] |
| 425                   | VRS-TV2AB103J | AA         |          | C         | Resistor(1/10W 10K ±5%)   | [R379] |
| 426                   | VRS-TV2AB471J | AA         |          | C         | Resistor(1/10W 470 ±5%)   | [R380] |
| 427                   | VRS-TV2AB100J | AD         |          | C         | Resistor(1/10W 10 ±5%)    | [R381] |
| 428                   | VRS-TV2AB100J | AD         |          | C         | Resistor(1/10W 10 ±5%)    | [R383] |
| 429                   | VRS-TV2AB100J | AD         |          | C         | Resistor(1/10W 10 ±5%)    | [R385] |
| 430                   | VRS-TV2AB100J | AD         |          | C         | Resistor(1/10W 10 ±5%)    | [R387] |
| 431                   | VRS-TV2AB681J | AA         |          | C         | Resistor(1/10W 680 ±5%)   | [R390] |
| 432                   | VRS-TV2AB473J | AA         |          | C         | Resistor(1/10W 47K ±5%)   | [R391] |
| 433                   | VRS-TV2AB103J | AA         |          | C         | Resistor(1/10W 10K ±5%)   | [R392] |
| 434                   | VRS-TV2AB271J | AA         |          | C         | Resistor(1/10W 270 ±5%)   | [R393] |
| 435                   | VRS-TV2AB271J | AA         |          | C         | Resistor(1/10W 270 ±5%)   | [R394] |
| 436                   | VRS-TV2AB330J | AD         |          | C         | Resistor(1/10W 33 ±5%)    | [R395] |
| 437                   | VRS-TV2AB330J | AD         |          | C         | Resistor(1/10W 33 ±5%)    | [R396] |
| 438                   | VRS-TV2AB101J | AA         |          | C         | Resistor(1/10W 100 ±5%)   | [R397] |
| 439                   | VRS-TV2AB330J | AD         |          | C         | Resistor(1/10W 33 ±5%)    | [R398] |
| 440                   | VRS-TV2AB330J | AD         |          | C         | Resistor(1/10W 33 ±5%)    | [R399] |
| 441                   | VRS-TV2AB330J | AD         |          | C         | Resistor(1/10W 33 ±5%)    | [R400] |
| 442                   | VRS-TV2AB330J | AD         |          | C         | Resistor(1/10W 33 ±5%)    | [R401] |
| 443                   | VRS-TV2AB330J | AD         |          | C         | Resistor(1/10W 33 ±5%)    | [R402] |
| 444                   | VRS-TV2AB330J | AD         |          | C         | Resistor(1/10W 33 ±5%)    | [R403] |
| 445                   | VRS-TV2AB330J | AD         |          | C         | Resistor(1/10W 33 ±5%)    | [R404] |
| 446                   | VRS-TV2AB330J | AD         |          | C         | Resistor(1/10W 33 ±5%)    | [R405] |
| 447                   | VRS-TV2AB330J | AD         |          | C         | Resistor(1/10W 33 ±5%)    | [R406] |
| 448                   | VRS-TV2AB330J | AD         |          | C         | Resistor(1/10W 33 ±5%)    | [R407] |
| 449                   | VRS-TV2AB000J | AA         |          | C         | Resistor(1/10W 0 ±5%)     | [R409] |
| 450                   | VRS-TV2AB471J | AA         |          | C         | Resistor(1/10W 470 ±5%)   | [R410] |
| 451                   | VRS-TV2AB100J | AD         |          | C         | Resistor(1/10W 10 ±5%)    | [R411] |
| 452                   | VRS-TV2AB100J | AD         |          | C         | Resistor(1/10W 10 ±5%)    | [R412] |
| 453                   | VRS-TV2AB100J | AD         |          | C         | Resistor(1/10W 10 ±5%)    | [R413] |
| 454                   | VRS-TV2AB100J | AD         |          | C         | Resistor(1/10W 10 ±5%)    | [R414] |
| 455                   | VRS-TV2AB100J | AD         |          | C         | Resistor(1/10W 10 ±5%)    | [R415] |
| 456                   | VRS-TV2AB100J | AD         |          | C         | Resistor(1/10W 10 ±5%)    | [R416] |
| 457                   | VRS-TV2AB100J | AD         |          | C         | Resistor(1/10W 10 ±5%)    | [R417] |
| 458                   | VRS-TV2AB100J | AD         |          | C         | Resistor(1/10W 10 ±5%)    | [R418] |
| 459                   | VRS-TV2AB103J | AA         |          | C         | Resistor(1/10W 10K ±5%)   | [R419] |
| 460                   | VRS-TV2AB100J | AD         |          | C         | Resistor(1/10W 10 ±5%)    | [R420] |
| 461                   | VRS-TV2AB100J | AD         |          | C         | Resistor(1/10W 10 ±5%)    | [R421] |
| 462                   | VRS-TV2AB330J | AD         |          | C         | Resistor(1/10W 33 ±5%)    | [R422] |
| 463                   | VRS-TV2AB330J | AD         |          | C         | Resistor(1/10W 33 ±5%)    | [R423] |
| 464                   | VRS-TV2AB330J | AD         |          | C         | Resistor(1/10W 33 ±5%)    | [R424] |
| 465                   | VRS-TV2AB330J | AD         |          | C         | Resistor(1/10W 33 ±5%)    | [R425] |
| 466                   | VRS-TV2AB470J | AA         |          | C         | Resistor(1/10W 47 ±5%)    | [R426] |
| 467                   | VRS-TV2AB470J | AA         |          | C         | Resistor(1/10W 47 ±5%)    | [R427] |
| 468                   | VRS-TV2AB470J | AA         |          | C         | Resistor(1/10W 47 ±5%)    | [R428] |
| 469                   | VRS-TV2AB470J | AA         |          | C         | Resistor(1/10W 47 ±5%)    | [R429] |
| 470                   | VRS-TV2AB470J | AA         |          | C         | Resistor(1/10W 47 ±5%)    | [R430] |
| 471                   | VRS-TV2AB470J | AA         |          | C         | Resistor(1/10W 47 ±5%)    | [R431] |
| 472                   | VRS-TV2AB470J | AA         |          | C         | Resistor(1/10W 47 ±5%)    | [R432] |
| 473                   | VRS-TV2AB470J | AA         |          | C         | Resistor(1/10W 47 ±5%)    | [R433] |
| 474                   | VRS-TV2AB470J | AA         |          | C         | Resistor(1/10W 47 ±5%)    | [R434] |
| 475                   | VRS-TV2AB470J | AA         |          | C         | Resistor(1/10W 47 ±5%)    | [R435] |
| 476                   | VRS-TV2AB470J | AA         |          | C         | Resistor(1/10W 47 ±5%)    | [R436] |
| 477                   | VRS-TV2AB470J | AA         |          | C         | Resistor(1/10W 47 ±5%)    | [R437] |
| 478                   | VRS-TV2AB470J | AA         |          | C         | Resistor(1/10W 47 ±5%)    | [R438] |
| 479                   | VRS-TV2AB470J | AA         |          | C         | Resistor(1/10W 47 ±5%)    | [R439] |
| 480                   | VRS-TV2AB470J | AA         |          | C         | Resistor(1/10W 47 ±5%)    | [R440] |

| NO.                   | PARTS CODE    | PRICE RANK | NEW MARK | PART RANK | DESCRIPTION              |               |
|-----------------------|---------------|------------|----------|-----------|--------------------------|---------------|
| [10] Control PWB unit |               |            |          |           |                          |               |
| 481                   | VRS-TV2AB470J | AA         |          | C         | Resistor(1/10W 47 ±5%)   | [R441]        |
| 482                   | VRS-TV2AB470J | AA         |          | C         | Resistor(1/10W 47 ±5%)   | [R442]        |
| 483                   | VRS-TV2AB562J | AA         |          | C         | Resistor(1/10W 5.6K ±5%) | [R443]        |
| 484                   | VRS-TV2AB330J | AD         |          | C         | Resistor(1/10W 33 ±5%)   | [R444]        |
| 485                   | VRS-TV2AB330J | AD         |          | C         | Resistor(1/10W 33 ±5%)   | [R445]        |
| 486                   | VRS-TV2AB330J | AD         |          | C         | Resistor(1/10W 33 ±5%)   | [R446]        |
| 487                   | VRS-TV2AB330J | AD         |          | C         | Resistor(1/10W 33 ±5%)   | [R447]        |
| 488                   | VRS-TV2AB330J | AD         |          | C         | Resistor(1/10W 33 ±5%)   | [R448]        |
| 489                   | VRS-TV2AB330J | AD         |          | C         | Resistor(1/10W 33 ±5%)   | [R449]        |
| 490                   | VRS-TV2AB330J | AD         |          | C         | Resistor(1/10W 33 ±5%)   | [R450]        |
| 491                   | VRS-TV2AB330J | AD         |          | C         | Resistor(1/10W 33 ±5%)   | [R451]        |
| 492                   | VRS-TV2AB101J | AA         |          | C         | Resistor(1/10W 100 ±5%)  | [R452]        |
| 493                   | VRS-TV2AB101J | AA         |          | C         | Resistor(1/10W 100 ±5%)  | [R453]        |
| 494                   | VRS-TQ2BB000J | AA         |          | C         | Resistor(1/8W 0 ±5%)     | [R454]        |
| 495                   | VRS-TV2AB122J | AA         |          | C         | Resistor(1/10W 1.2K ±5%) | [R455]        |
| 496                   | VRS-TV2AB122J | AA         |          | C         | Resistor(1/10W 1.2K ±5%) | [R456]        |
| 497                   | VRS-TV2AB122J | AA         |          | C         | Resistor(1/10W 1.2K ±5%) | [R457]        |
| 498                   | VRS-TV2AB122J | AA         |          | C         | Resistor(1/10W 1.2K ±5%) | [R458]        |
| 499                   | VRS-TV2AB122J | AA         |          | C         | Resistor(1/10W 1.2K ±5%) | [R459]        |
| 500                   | VRS-TV2AB122J | AA         |          | C         | Resistor(1/10W 1.2K ±5%) | [R460]        |
| 501                   | VRS-TV2AB122J | AA         |          | C         | Resistor(1/10W 1.2K ±5%) | [R461]        |
| 502                   | VRS-TV2AB122J | AA         |          | C         | Resistor(1/10W 1.2K ±5%) | [R462]        |
| 503                   | VRS-TV2AB122J | AA         |          | C         | Resistor(1/10W 1.2K ±5%) | [R463]        |
| 504                   | VRS-TV2AB122J | AA         |          | C         | Resistor(1/10W 1.2K ±5%) | [R464]        |
| 505                   | VRS-TV2AB122J | AA         |          | C         | Resistor(1/10W 1.2K ±5%) | [R465]        |
| 506                   | VRS-TV2AB122J | AA         |          | C         | Resistor(1/10W 1.2K ±5%) | [R466]        |
| 507                   | VRS-TV2AB122J | AA         |          | C         | Resistor(1/10W 1.2K ±5%) | [R467]        |
| 508                   | VRS-TV2AB122J | AA         |          | C         | Resistor(1/10W 1.2K ±5%) | [R468]        |
| 509                   | VRS-TV2AB122J | AA         |          | C         | Resistor(1/10W 1.2K ±5%) | [R469]        |
| 510                   | VRS-TV2AB122J | AA         |          | C         | Resistor(1/10W 1.2K ±5%) | [R470]        |
| 511                   | VRS-TV2AB122J | AA         |          | C         | Resistor(1/10W 1.2K ±5%) | [R471]        |
| 512                   | VRS-TV2AB122J | AA         |          | C         | Resistor(1/10W 1.2K ±5%) | [R472]        |
| 513                   | VRS-TQ2BB561J | AA         |          | C         | Resistor(1/8W 560 ±5%)   | [R474]        |
| 514                   | VRS-TV2AB330J | AD         |          | C         | Resistor(1/10W 33 ±5%)   | [R475]        |
| 515                   | VRS-TV2AB330J | AD         |          | C         | Resistor(1/10W 33 ±5%)   | [R476]        |
| 516                   | VRS-TV2AB330J | AD         |          | C         | Resistor(1/10W 33 ±5%)   | [R477]        |
| 517                   | VRS-TV2AB330J | AD         |          | C         | Resistor(1/10W 33 ±5%)   | [R478]        |
| 518                   | VRS-TV2AB101J | AA         |          | C         | Resistor(1/10W 100 ±5%)  | [R479]        |
| 519                   | VRS-TV2AB101J | AA         |          | C         | Resistor(1/10W 100 ±5%)  | [R480]        |
| 520                   | VRS-TQ2BB000J | AA         |          | C         | Resistor(1/8W 0 ±5%)     | [R481]        |
| 521                   | VRS-TV2AB390J | AB         |          | C         | Resistor(1/10W 39 ±5%)   | [R482]        |
| 522                   | VRS-TV2AB103J | AA         |          | C         | Resistor(1/10W 10K ±5%)  | [R483]        |
| 523                   | VRS-TV2AB103J | AA         |          | C         | Resistor(1/10W 10K ±5%)  | [R484]        |
| 524                   | VRS-TV2AB103J | AA         |          | C         | Resistor(1/10W 10K ±5%)  | [R485]        |
| 525                   | VRS-TV2AB103J | AA         |          | C         | Resistor(1/10W 10K ±5%)  | [R486]        |
| 526                   | VRS-TV2AB103J | AA         |          | C         | Resistor(1/10W 10K ±5%)  | [R487]        |
| 527                   | VRS-TV2AB000J | AA         |          | C         | Resistor(1/10W 0 ±5%)    | [R489]        |
| 528                   | VRS-TV2AB101J | AA         |          | C         | Resistor(1/10W 100 ±5%)  | [R490]        |
| 529                   | VRS-TQ2BB222J | AA         |          | C         | Resistor(1/8W 2.2K ±5%)  | [R492]        |
| 530                   | VRS-TV2AB000J | AA         |          | C         | Resistor(1/10W 0 ±5%)    | [R494]        |
| 531                   | RCRSQ2125AXZZ | AL         | N        | B         | Crystal(20MHZ)           | [X1]          |
| 532                   | RCRSQ2123AXZZ | AL         | N        | B         | Crystal(6.912MHZ)        | [X2]          |
| 533                   | RCRSB0297AFZZ | AD         |          | B         | Crystal(32.768KHz)       | [X3]          |
| 534                   | RCRSQ2124AXZZ | AL         | N        | B         | Crystal(16MHZ)           | [X4]          |
| 535                   | RCRSQ2109SCZZ | AL         |          | B         | Crystal(38.00053MHz)     | [X5]          |
| 536                   | VHERD22FB3/-1 | AC         |          | B         | Zener diode(RD22FB3)     | [ZD1]         |
| 537                   | TLABN1235CCZZ | AA         |          | D         | EPROM label              |               |
|                       | (Unit)        |            |          |           |                          |               |
| 901                   | DCEKC781JAXZZ | CM         | N        | E         | Control PWB unit         | [2200CMU/CMC] |
|                       | DCEKC887JAXZZ | CM         | N        | E         | Control PWB unit         | [2150CMU/CMC] |

|                       |               |    |   |   |                         |       |
|-----------------------|---------------|----|---|---|-------------------------|-------|
| [11] TEL-Liu PWB unit |               |    |   |   |                         |       |
| 1                     | VHVRA391PV6-1 | AE |   | B | Varistor(RA-391P-V6-2)  | [AR1] |
| 2                     | QCNW-4806AXZZ | AD | N | C | ARG cable               | [ARG] |
| 3                     | RC-FZ3024SCZZ | AG |   | C | Capacitor(250WV 0.82µF) | [C1]  |
| 4                     | VCKYPU1HB103K | AA |   | C | Capacitor(50WV 0.01µF)  | [C2]  |
| 5                     | VCKYPU1HB102K | AA |   | C | Capacitor(50WV 1000PF)  | [C3]  |
| 6                     | VCKYPU1HB102K | AA |   | C | Capacitor(50WV 1000PF)  | [C4]  |
| 7                     | VCEAGA1HW475M | AA |   | C | Capacitor(50WV 4.7µF)   | [C5]  |
| 8                     | VCKYPU1HB222K | AA |   | C | Capacitor(50WV 2200PF)  | [C7]  |
| 9                     | VCQYNA1HM333K | AA |   | C | Capacitor(50WV 0.033µF) | [C8]  |
| 10                    | VCEAGA1HW475M | AA |   | C | Capacitor(50WV 4.7µF)   | [C9]  |
| 11                    | VCKYPU1HB222K | AA |   | C | Capacitor(50WV 2200PF)  | [C10] |
| 12                    | VCEAGA1HW475M | AA |   | C | Capacitor(50WV 4.7µF)   | [C11] |
| 13                    | VCEAGA1HW225M | AA |   | C | Capacitor(50WV 2.2µF)   | [C12] |
| 14                    | VCKYPU1HB221K | AB |   | C | Capacitor(50WV 220PF)   | [C13] |

| NO.                             | PARTS CODE    | PRICE RANK | NEW MARK | PART RANK | DESCRIPTION               |           |
|---------------------------------|---------------|------------|----------|-----------|---------------------------|-----------|
| <b>[11] TEL-Liu PWB unit</b>    |               |            |          |           |                           |           |
| 15                              | VCKYPU1HB102K | AA         |          | C         | Capacitor(50WV 1000PF)    | [C14]     |
| 16                              | VCKYPU1HB102K | AA         |          | C         | Capacitor(50WV 1000PF)    | [C15]     |
| 17                              | VCEAGA1HW226M | AB         |          | C         | Capacitor(50WV 22μF)      | [C16]     |
| 18                              | VCKYPU1HB332K | AA         |          | C         | Capacitor(50WV 3300PF)    | [C17]     |
| 19                              | VCKYPU1HF223Z | AA         |          | C         | Capacitor(50WV 0.022μF)   | [C18]     |
| 20                              | VCEAGA1HW475M | AA         |          | C         | Capacitor(50WV 4.7μF)     | [C19]     |
| 21                              | VCKYPU1HB222K | AA         |          | C         | Capacitor(50WV 2200PF)    | [C20]     |
| 22                              | RRLYD3221SCZZ | AN         |          | B         | Relay(OUAZ-SH-124D)       | [CML]     |
| 23                              | QCNCW2500SC1D | AG         |          | C         | Connector(14Pin)          | [CNLIU]   |
| 24                              | VHD1SS133//-1 | AA         |          | B         | Diode(1SS133)             | [D1]      |
| 25                              | VHD1SS133//-1 | AA         |          | B         | Diode(1SS133)             | [D2]      |
| 26                              | VHD1SS133//-1 | AA         |          | B         | Diode(1SS133)             | [D3]      |
| 27                              | VHD1SS133//-1 | AA         |          | B         | Diode(1SS133)             | [D4]      |
| 28                              | VHINJM2904D-1 | AG         |          | B         | IC(NJM2904D)              | [IC1]     |
| 29                              | RFILN2011SCZZ | AC         |          | C         | Coil(SBT-0260)            | [L1]      |
| 30                              | RFILN2011SCZZ | AC         |          | C         | Coil(SBT-0260)            | [L2]      |
| 31                              | RFILN2011SCZZ | AC         |          | C         | Coil(SBT-0260)            | [L3]      |
| 32                              | RFILN2011SCZZ | AC         |          | C         | Coil(SBT-0260)            | [L4]      |
| 33                              | VRD-HT2EY000J | AA         |          | C         | Resistor(1/4W 0 ±5%)      | [L5]      |
| 34                              | VRD-HT2EY000J | AA         |          | C         | Resistor(1/4W 0 ±5%)      | [L6]      |
| 35                              | VRD-HT2EY000J | AA         |          | C         | Resistor(1/4W 0 ±5%)      | [L7]      |
| 36                              | QJAKZ2046SCBB | AH         |          | C         | Line-jack(2pin)           | [MJ1-2]   |
| 37                              | QJAKZ2065SC0D | AG         |          | C         | Tell-jack(40-218A0-04BKA) | [MJTEL]   |
| 38                              | VHPPC817X7/-1 | AD         |          | B         | Photo coupler(PC817X7)    | [PC1]     |
| 39                              | VHPPC814X/-1  | AE         |          | B         | Photo transistor(PC814X)  | [PC2]     |
| 40                              | VHPSG206S//-1 | AG         |          | B         | Photo transistor(SG206S)  | [PE]      |
| 41                              | VSDTC114ES/-1 | AB         |          | B         | Transistor(DTC114ES)      | [Q1]      |
| 42                              | VS2SC1815GR-1 | AB         |          | B         | Transistor(2SC1815GR)     | [Q2]      |
| 43                              | VSDTC114ES/-1 | AB         |          | B         | Transistor(DTC114ES)      | [Q3]      |
| 44                              | VRD-HT2EY910J | AA         |          | C         | Resistor(1/4W 91 ±5%)     | [R1]      |
| 45                              | VRD-HT2EY300J | AA         |          | C         | Resistor(1/4W 30 ±5%)     | [R2]      |
| 46                              | VRD-HT2HY223J | AA         |          | C         | Resistor(1/2W 22K ±5%)    | [R3]      |
| 47                              | VRD-HT2EY223J | AA         |          | C         | Resistor(1/4W 22K ±5%)    | [R5]      |
| 48                              | VRD-HT2EY221J | AA         |          | C         | Resistor(1/4W 220 ±5%)    | [R6]      |
| 49                              | VRD-HT2EY103J | AA         |          | C         | Resistor(1/4W 10K ±5%)    | [R7]      |
| 50                              | VRD-HT2EY153J | AA         |          | C         | Resistor(1/4W 15K ±5%)    | [R8]      |
| 51                              | VRD-HT2EY621J | AA         |          | C         | Resistor(1/4W 620 ±5%)    | [R10]     |
| 52                              | VRD-HT2EY103J | AA         |          | C         | Resistor(1/4W 10K ±5%)    | [R11]     |
| 53                              | VRD-HT2EY103J | AA         |          | C         | Resistor(1/4W 10K ±5%)    | [R12]     |
| 54                              | VRD-HT2EY103J | AA         |          | C         | Resistor(1/4W 10K ±5%)    | [R13]     |
| 55                              | VRD-HT2EY332J | AA         |          | C         | Resistor(1/4W 3.3K ±5%)   | [R14]     |
| 56                              | VRD-HT2EY102J | AA         |          | C         | Resistor(1/4W 1.0K ±5%)   | [R15]     |
| 57                              | VRD-HT2EY152J | AA         |          | C         | Resistor(1/4W 1.5K ±5%)   | [R16]     |
| 58                              | VRD-HT2EY102J | AA         |          | C         | Resistor(1/4W 1.0K ±5%)   | [R18]     |
| 59                              | VRD-HT2EY152J | AA         |          | C         | Resistor(1/4W 1.5K ±5%)   | [R19]     |
| 60                              | VRD-HT2EY102J | AA         |          | C         | Resistor(1/4W 1.0K ±5%)   | [R20]     |
| 61                              | VRD-HT2EY153J | AA         |          | C         | Resistor(1/4W 15K ±5%)    | [R21]     |
| 62                              | VRD-HT2EY332J | AA         |          | C         | Resistor(1/4W 3.3K ±5%)   | [R22]     |
| 63                              | VRD-HT2EY151J | AA         |          | C         | Resistor(1/4W 150 ±5%)    | [R24]     |
| 64                              | QSW-Z2206SCZZ | AH         |          | B         | Hook switch(SPPY11-BM)    | [SW1]     |
| 65                              | RTRNZ2128XH01 | AP         |          | B         | Transformer(Z2128)        | [T1]      |
| 66                              | VHVERZV5D471/ | AC         |          | B         | Varistor(ERZV5D471)       | [VA1]     |
| 67                              | VHVERZV5D471/ | AC         |          | B         | Varistor(ERZV5D471)       | [VA2]     |
| 68                              | VHEHZ2C1///-1 | AA         |          | B         | Zener diode(HZ2C1)        | [ZD1]     |
| 69                              | VHEHZ2C1///-1 | AA         |          | B         | Zener diode(HZ2C1)        | [ZD2]     |
| 70                              | VHEHZ27-1//1  | AB         |          | B         | Zener diode(HZ27)         | [ZD3]     |
| 71                              | VHEHZ2C1///-1 | AA         |          | B         | Zener diode(HZ2C1)        | [ZD4]     |
| 72                              | VHEHZ2C1///-1 | AA         |          | B         | Zener diode(HZ2C1)        | [ZD5]     |
|                                 | (Unit)        |            |          |           |                           |           |
| 901                             | DCEKL391BAX01 | BE         | N        | E         | TEL/Liu PWB unit          |           |
|                                 |               |            |          |           |                           |           |
|                                 |               |            |          |           |                           |           |
|                                 |               |            |          |           |                           |           |
|                                 |               |            |          |           |                           |           |
| <b>[12] Ink sensor PWB unit</b> |               |            |          |           |                           |           |
| 1                               | VCEAEA1CW106M | AC         |          | C         | Capacitor(16WV 10μF)      | [C1]      |
| 2                               | VCEAEA1CW106M | AC         |          | C         | Capacitor(16WV 10μF)      | [C2]      |
| 3                               | VCKYTV1EF104Z | AA         |          | C         | Capacitor(25WV 0.1μF)     | [C101]    |
| 4                               | VCKYTV1EF104Z | AA         |          | C         | Capacitor(25WV 0.1μF)     | [C103]    |
| 5                               | VCKYTV1HB121K | AA         |          | C         | Capacitor(50WV 120PF)     | [C104]    |
| 6                               | VCKYTV1EB104K | AA         |          | C         | Capacitor(25WV 0.1μF)     | [C106]    |
| 7                               | QCNCM704FAF02 | AC         |          | C         | Connector(6pin)           | [CNPHOTO] |
| 8                               | VHPPD410PI-1  | AE         |          | B         | Photo transistor(PD410PI) | [D1]      |
| 9                               | VHPGL480///-1 | AD         |          | B         | Photo transistor(GL480)   | [D2]      |
| 10                              | VHD1SS355//-1 | AB         |          | B         | Diode(1SS355)             | [D101]    |
| 11                              | VHINJM324M/-1 | AH         | N        | B         | IC(NJM324M)               | [IC1]     |
| 12                              | VHINJM311M/-1 | AL         |          | B         | IC(NJM311M)               | [IC2]     |
| 13                              | VS2SC2412KR-1 | AD         |          | B         | Transistor(2SC2412K)      | [Q101]    |
| 14                              | VRS-TV2AB103J | AA         |          | C         | Resistor(1/10W 10K ±5%)   | [R101]    |

| NO.                      | PARTS CODE    | PRICE RANK | NEW MARK | PART RANK | DESCRIPTION              |        |
|--------------------------|---------------|------------|----------|-----------|--------------------------|--------|
| [12] Ink sensor PWB unit |               |            |          |           |                          |        |
| 15                       | VRS-TV2AB103J | AA         |          | C         | Resistor(1/10W 10K ±5%)  | [R102] |
| 16                       | VRS-TV2AB434J | AA         |          | C         | Resistor(1/10W 430K ±5%) | [R103] |
| 17                       | VRS-TV2AB222J | AA         |          | C         | Resistor(1/10W 2.2K ±5%) | [R104] |
| 18                       | VRS-TV2AB103J | AA         |          | C         | Resistor(1/10W 10K ±5%)  | [R105] |
| 19                       | VRS-TV2AB222J | AA         |          | C         | Resistor(1/10W 2.2K ±5%) | [R106] |
| 20                       | VRS-TV2AB434J | AA         |          | C         | Resistor(1/10W 430K ±5%) | [R107] |
| 21                       | VRS-TV2AB103J | AA         |          | C         | Resistor(1/10W 10K ±5%)  | [R108] |
| 22                       | VRS-TV2AB103J | AA         |          | C         | Resistor(1/10W 10K ±5%)  | [R109] |
| 23                       | VRS-TV2AB124J | AA         |          | C         | Resistor(1/10W 120K ±5%) | [R110] |
| 24                       | VRS-TV2AB103J | AA         |          | C         | Resistor(1/10W 10K ±5%)  | [R111] |
| 25                       | VRS-TV2AB434J | AA         |          | C         | Resistor(1/10W 430K ±5%) | [R112] |
| 26                       | VRS-TV2AB473J | AA         |          | C         | Resistor(1/10W 47K ±5%)  | [R113] |
| 27                       | VRS-TV2AB151J | AA         |          | C         | Resistor(1/10W 150 ±5%)  | [R114] |
| 28                       | VRS-TV2AB151J | AA         |          | C         | Resistor(1/10W 150 ±5%)  | [R115] |
| 29                       | VRS-TV2AB104J | AA         |          | C         | Resistor(1/10W 100K ±5%) | [R116] |
| 30                       | VRS-TV2AB332J | AA         |          | C         | Resistor(1/10W 3.3K ±5%) | [R117] |
|                          | (Unit)        |            |          |           |                          |        |
| 901                      | DCEKS396BAX01 | AZ         | N        | E         | Ink sensor PWB           |        |
| [13] Printer PWB unit    |               |            |          |           |                          |        |
| 1                        | VCEAGU1VW107M | AB         |          | C         | Capacitor(35WV 100µF)    | [C2]   |
| 2                        | VCEAZU1VJ108M | AG         | N        | C         | Capacitor(35WV 1000µF)   | [C3]   |
| 3                        | VCEAGA1CW107M | AC         |          | C         | Capacitor(16WV 100µF)    | [C4]   |
| 4                        | VCKYTV1HF104Z | AA         |          | C         | Capacitor(50WV 0.1µF)    | [C100] |
| 5                        | VCCCTV1HH331J | AA         |          | C         | Capacitor(50WV 330PF)    | [C101] |
| 6                        | VCCCTV1HH471J | AA         |          | C         | Capacitor(50WV 470PF)    | [C102] |
| 7                        | VCCCTV1HH471J | AA         |          | C         | Capacitor(50WV 470PF)    | [C103] |
| 8                        | VCKYTV1CF225Z | AD         |          | C         | Capacitor(16WV 2.2µF)    | [C104] |
| 9                        | VCKYTV1HF104Z | AA         |          | C         | Capacitor(50WV 0.1µF)    | [C105] |
| 10                       | VCKYTV1HB103K | AB         |          | C         | Capacitor(50WV 0.01µF)   | [C106] |
| 11                       | VCCCTV1HH102J | AA         |          | C         | Capacitor(50WV 1000PF)   | [C107] |
| 12                       | VCCCTV1HH331J | AA         |          | C         | Capacitor(50WV 330PF)    | [C108] |
| 13                       | VCKYTV1HF104Z | AA         |          | C         | Capacitor(50WV 0.1µF)    | [C109] |
| 14                       | VCKYTV1HF104Z | AA         |          | C         | Capacitor(50WV 0.1µF)    | [C110] |
| 15                       | VCKYTV1HF104Z | AA         |          | C         | Capacitor(50WV 0.1µF)    | [C111] |
| 16                       | VCKYTV1CF225Z | AD         |          | C         | Capacitor(16WV 2.2µF)    | [C112] |
| 17                       | VCKYTV1CF225Z | AD         |          | C         | Capacitor(16WV 2.2µF)    | [C113] |
| 18                       | VCKYTV1HF104Z | AA         |          | C         | Capacitor(50WV 0.1µF)    | [C114] |
| 19                       | VCKYTV1HF104Z | AA         |          | C         | Capacitor(50WV 0.1µF)    | [C115] |
| 20                       | VCCCTV1HH102J | AA         |          | C         | Capacitor(50WV 1000PF)   | [C116] |
| 21                       | VCCCTV1HH102J | AA         |          | C         | Capacitor(50WV 1000PF)   | [C117] |
| 22                       | VCCCTV1HH101J | AA         |          | C         | Capacitor(50WV 100PF)    | [C118] |
| 23                       | VCCCTV1HH102J | AA         |          | C         | Capacitor(50WV 1000PF)   | [C119] |
| 24                       | VCCCTV1HH561J | AA         |          | C         | Capacitor(50WV 560PF)    | [C120] |
| 25                       | VCCCTV1HH561J | AA         |          | C         | Capacitor(50WV 560PF)    | [C121] |
| 26                       | VCKYTV1HF104Z | AA         |          | C         | Capacitor(50WV 0.1µF)    | [C123] |
| 27                       | VCCCTV1HH102J | AA         |          | C         | Capacitor(50WV 1000PF)   | [C125] |
| 28                       | VCKYTV1HF104Z | AA         |          | C         | Capacitor(50WV 0.1µF)    | [C126] |
| 29                       | VCCCTV1HH102J | AA         |          | C         | Capacitor(50WV 1000PF)   | [C127] |
| 30                       | VCCCTV1HH102J | AA         |          | C         | Capacitor(50WV 1000PF)   | [C128] |
| 31                       | VCCCTV1HH101J | AA         |          | C         | Capacitor(50WV 100PF)    | [C129] |
| 32                       | VCCCTV1HH102J | AA         |          | C         | Capacitor(50WV 1000PF)   | [C130] |
| 33                       | VCCCTV1HH102J | AA         |          | C         | Capacitor(50WV 1000PF)   | [C131] |
| 34                       | VCKYTV1HF103Z | AA         |          | C         | Capacitor(50WV 0.010µF)  | [C132] |
| 35                       | VCCCTV1HH150J | AA         |          | C         | Capacitor(50WV 15PF)     | [C133] |
| 36                       | VCCCTV1HH220J | AA         |          | C         | Capacitor(50WV 22PF)     | [C134] |
| 37                       | VCCCTV1HH220J | AA         |          | C         | Capacitor(50WV 22PF)     | [C135] |
| 38                       | VCKYTV1HF104Z | AA         |          | C         | Capacitor(50WV 0.1µF)    | [C136] |
| 39                       | VCCCTV1HH102J | AA         |          | C         | Capacitor(50WV 1000PF)   | [C137] |
| 40                       | VCCCTV1HH102J | AA         |          | C         | Capacitor(50WV 1000PF)   | [C138] |
| 41                       | VCKYTV1HB472K | AA         |          | C         | Capacitor(50WV 4700PF)   | [C139] |
| 42                       | VCCCTV1HH102J | AA         |          | C         | Capacitor(50WV 1000PF)   | [C140] |
| 43                       | VCCCTV1HH102J | AA         |          | C         | Capacitor(50WV 1000PF)   | [C141] |
| 44                       | VCCCTV1HH102J | AA         |          | C         | Capacitor(50WV 1000PF)   | [C142] |
| 45                       | VCKYTV1CF225Z | AD         |          | C         | Capacitor(16WV 2.2µF)    | [C143] |
| 46                       | VCCCTV1HH561J | AA         |          | C         | Capacitor(50WV 560PF)    | [C144] |
| 47                       | VCCCTV1HH561J | AA         |          | C         | Capacitor(50WV 560PF)    | [C145] |
| 48                       | VCKYTV1HF104Z | AA         |          | C         | Capacitor(50WV 0.1µF)    | [C146] |
| 49                       | VCKYTV1HF104Z | AA         |          | C         | Capacitor(50WV 0.1µF)    | [C147] |
| 50                       | VCKYTV1HF103Z | AA         |          | C         | Capacitor(50WV 0.010µF)  | [C148] |
| 51                       | VCCCTV1HH150J | AA         |          | C         | Capacitor(50WV 15PF)     | [C149] |
| 52                       | VCCCTV1HH102J | AA         |          | C         | Capacitor(50WV 1000PF)   | [C150] |
| 53                       | VCKYTV1HF104Z | AA         |          | C         | Capacitor(50WV 0.1µF)    | [C151] |
| 54                       | VCKYTV1HB103K | AB         |          | C         | Capacitor(50WV 0.01µF)   | [C300] |
| 55                       | VCKYTV1HB103K | AB         |          | C         | Capacitor(50WV 0.01µF)   | [C302] |
| 56                       | VCKYTV1HB103K | AB         |          | C         | Capacitor(50WV 0.01µF)   | [C303] |

| NO.                          | PARTS CODE    | PRICE RANK | NEW MARK | PART RANK | DESCRIPTION              |         |
|------------------------------|---------------|------------|----------|-----------|--------------------------|---------|
| <b>[13] Printer PWB unit</b> |               |            |          |           |                          |         |
| 57                           | QCNCM7014SC0E | AB         |          | C         | Connector(5pin)          | [CN1]   |
| 58                           | QCNCM7014SC0D | AB         |          | C         | Connector(4pin)          | [CN2]   |
| 59                           | QCNCW2556SC3B | AG         | N        | C         | Connector(32pin)         | [CN3]   |
| 60                           | QCNCW2556SC3B | AG         | N        | C         | Connector(32pin)         | [CN4]   |
| 61                           | QCNCM2482SC2H | AG         | N        | C         | Connector(28pin)         | [CNPRT] |
| 62                           | VHDERA81004-1 | AE         | N        | B         | Diode(ERA81-004)         | [D1]    |
| 63                           | VHDERA81004-1 | AE         | N        | B         | Diode(ERA81-004)         | [D2]    |
| 64                           | VHDERA81004-1 | AE         | N        | B         | Diode(ERA81-004)         | [D3]    |
| 65                           | VHDERA81004-1 | AE         | N        | B         | Diode(ERA81-004)         | [D4]    |
| 66                           | VHVICPS07//-1 | AA         |          | B         | Varistor(ICP-S07)        | [F100]  |
| 67                           | VHVICPS07//-1 | AA         |          | B         | Varistor(ICP-S07)        | [F101]  |
| 68                           | RCILZ2141AXZZ | AD         | N        | C         | Bead coil                | [FB100] |
| 69                           | RCILZ2141AXZZ | AD         | N        | C         | Bead coil                | [FB101] |
| 70                           | RCILZ2141AXZZ | AD         | N        | C         | Bead coil                | [FB102] |
| 71                           | RCILZ2141AXZZ | AD         | N        | C         | Bead coil                | [FB103] |
| 72                           | RCILZ2141AXZZ | AD         | N        | C         | Bead coil                | [FB104] |
| 73                           | VHILB1845//-1 | AY         | N        | B         | IC(LB1845)               | [IC1]   |
| 74                           | VHISTA471A/-1 | AK         |          | B         | IC(STA471A)              | [IC2]   |
| 75                           | VHIW24257S7LL | AP         |          | B         | IC(W24257)               | [IC3]   |
| 76                           | VHIL6451///-1 | AX         | N        | B         | IC(L6451)                | [IC4]   |
| 77                           | VHITC16G331AF | BG         | N        | B         | IC(TC160G331AF)          | [IC5]   |
| 78                           | VHIL6451///-1 | AX         | N        | B         | IC(L6451)                | [IC6]   |
| 79                           | VHIBA10393F-1 | AC         |          | B         | IC(BA10393F)             | [IC7]   |
| 80                           | VHITMP87PH47U | AZ         | N        | B         | IC(TMP87C807U)           | [IC8]   |
| 81                           | VHPSG206S//-1 | AG         |          | B         | Photo transistor(SG206S) | [PC1]   |
| 82                           | PSLDM2045AXZZ | AF         | N        | C         | Printer shield plate     | [PLT]   |
| 83                           | VS2SB1261K/-1 | AE         |          | B         | Transistor(2SB1261(K))   | [Q1]    |
| 84                           | VS2SC2412KR-1 | AD         |          | B         | Transistor(2SC2412K)     | [Q101]  |
| 85                           | VSDTA114EK/-1 | AB         |          | B         | Transistor(DTA114EKA)    | [Q102]  |
| 86                           | VSDTA114EK/-1 | AB         |          | B         | Transistor(DTA114EKA)    | [Q103]  |
| 87                           | VSDTA114EK/-1 | AB         |          | B         | Transistor(DTA114EKA)    | [Q104]  |
| 88                           | VSDTA114EK/-1 | AB         |          | B         | Transistor(DTA114EKA)    | [Q105]  |
| 89                           | RR-SZ3013SCZZ | AC         | N        | C         | Resistor(1W 22.1 ±1%)    | [R1]    |
| 90                           | RR-SZ3013SCZZ | AC         | N        | C         | Resistor(1W 22.1 ±1%)    | [R2]    |
| 91                           | VRS-HT3AAR75J | AC         | N        | C         | Resistor(1W 0.75 ±5%)    | [R3]    |
| 92                           | VRS-HT3AAR75J | AC         | N        | C         | Resistor(1W 0.75 ±5%)    | [R4]    |
| 93                           | RR-SZ3013SCZZ | AC         | N        | C         | Resistor(1W 22.1 ±1%)    | [R6]    |
| 94                           | RR-SZ3013SCZZ | AC         | N        | C         | Resistor(1W 22.1 ±1%)    | [R7]    |
| 95                           | VRD-HT2EY122J | AA         |          | C         | Resistor(1/4W 1.2K ±5%)  | [R8]    |
| 96                           | VRD-HT2EY122J | AA         |          | C         | Resistor(1/4W 1.2K ±5%)  | [R9]    |
| 97                           | VRS-TV2AB471J | AA         |          | C         | Resistor(1/10W 470 ±5%)  | [R100]  |
| 98                           | VRS-TV2AB471J | AA         |          | C         | Resistor(1/10W 470 ±5%)  | [R101]  |
| 99                           | VRS-TV2AB223J | AA         |          | C         | Resistor(1/10W 22K ±5%)  | [R102]  |
| 100                          | VRS-TV2AB390J | AB         |          | C         | Resistor(1/10W 39 ±5%)   | [R103]  |
| 101                          | VRS-TV2AB102J | AA         |          | C         | Resistor(1/10W 1K ±5%)   | [R104]  |
| 102                          | VRS-TV2AB563F | AB         | N        | C         | Resistor(1/10W 56K ±1%)  | [R105]  |
| 103                          | VRS-TV2AB563F | AB         | N        | C         | Resistor(1/10W 56K ±1%)  | [R106]  |
| 104                          | VRS-TV2AB152J | AB         |          | C         | Resistor(1/10W 1.5K ±5%) | [R110]  |
| 105                          | VRS-TV2AB222J | AA         |          | C         | Resistor(1/10W 2.2K ±5%) | [R111]  |
| 106                          | VRS-TV2AB152J | AB         |          | C         | Resistor(1/10W 1.5K ±5%) | [R112]  |
| 107                          | VRS-TV2AB222J | AA         |          | C         | Resistor(1/10W 2.2K ±5%) | [R113]  |
| 108                          | VRS-TV2AB152J | AB         |          | C         | Resistor(1/10W 1.5K ±5%) | [R114]  |
| 109                          | VRS-TV2AB222J | AA         |          | C         | Resistor(1/10W 2.2K ±5%) | [R115]  |
| 110                          | VRS-TV2AB222J | AA         |          | C         | Resistor(1/10W 2.2K ±5%) | [R116]  |
| 111                          | VRS-TV2AB152J | AB         |          | C         | Resistor(1/10W 1.5K ±5%) | [R117]  |
| 112                          | VRS-TV2AB472J | AA         |          | C         | Resistor(1/10W 4.7K ±5%) | [R119]  |
| 113                          | VRS-TV2AB102J | AA         |          | C         | Resistor(1/10W 1K ±5%)   | [R120]  |
| 114                          | VRS-TV2AB390J | AB         |          | C         | Resistor(1/10W 39 ±5%)   | [R126]  |
| 115                          | VRS-TV2AB472J | AA         |          | C         | Resistor(1/10W 4.7K ±5%) | [R127]  |
| 116                          | VRS-TV2AB472J | AA         |          | C         | Resistor(1/10W 4.7K ±5%) | [R128]  |
| 117                          | VRS-TV2AB472J | AA         |          | C         | Resistor(1/10W 4.7K ±5%) | [R129]  |
| 118                          | VRS-TV2AB390J | AB         |          | C         | Resistor(1/10W 39 ±5%)   | [R130]  |
| 119                          | VRS-TV2AB103J | AA         |          | C         | Resistor(1/10W 10K ±5%)  | [R131]  |
| 120                          | VRS-TV2AB390J | AB         |          | C         | Resistor(1/10W 39 ±5%)   | [R132]  |
| 121                          | VRS-TV2AB471J | AA         |          | C         | Resistor(1/10W 470 ±5%)  | [R133]  |
| 122                          | VRS-TV2AB471J | AA         |          | C         | Resistor(1/10W 470 ±5%)  | [R134]  |
| 123                          | VRS-TV2AB223J | AA         |          | C         | Resistor(1/10W 22K ±5%)  | [R135]  |
| 124                          | VRS-TV2AB390J | AB         |          | C         | Resistor(1/10W 39 ±5%)   | [R136]  |
| 125                          | VRS-TV2AB472J | AA         |          | C         | Resistor(1/10W 4.7K ±5%) | [R137]  |
| 126                          | VRS-TV2AB472J | AA         |          | C         | Resistor(1/10W 4.7K ±5%) | [R138]  |
| 127                          | VRS-TV2AB390J | AB         |          | C         | Resistor(1/10W 39 ±5%)   | [R139]  |
| 128                          | VRS-TV2AB472J | AA         |          | C         | Resistor(1/10W 4.7K ±5%) | [R140]  |
| 129                          | VRS-TV2AB472J | AA         |          | C         | Resistor(1/10W 4.7K ±5%) | [R141]  |
| 130                          | VRS-TV2AB390J | AB         |          | C         | Resistor(1/10W 39 ±5%)   | [R142]  |
| 131                          | VRS-TV2AB390J | AB         |          | C         | Resistor(1/10W 39 ±5%)   | [R143]  |
| 132                          | VRS-TV2AB103J | AA         |          | C         | Resistor(1/10W 10K ±5%)  | [R144]  |
| 133                          | VRS-TV2AB472J | AA         |          | C         | Resistor(1/10W 4.7K ±5%) | [R145]  |
| 134                          | VRS-TV2AB682J | AB         |          | C         | (1/10W 6.8K ±5%)         | [R146]  |
| 135                          | VRS-TV2AB682J | AB         |          | C         | (1/10W 6.8K ±5%)         | [R148]  |
| 136                          | VRS-TV2AB472J | AA         |          | C         | Resistor(1/10W 4.7K ±5%) | [R152]  |



| NO.                                  | PARTS CODE              | PRICE RANK | NEW MARK | PART RANK | DESCRIPTION               |        |
|--------------------------------------|-------------------------|------------|----------|-----------|---------------------------|--------|
| <b>[13] Printer PWB unit</b>         |                         |            |          |           |                           |        |
| 137                                  | VRS-TV2AB472J           | AA         |          | C         | Resistor(1/10W 4.7K ±5%)  | [R153] |
| 138                                  | VRS-TV2AB390J           | AB         |          | C         | Resistor(1/10W 39 ±5%)    | [R154] |
| 139                                  | VRS-TV2AB472J           | AA         |          | C         | Resistor(1/10W 4.7K ±5%)  | [R155] |
| 140                                  | VRS-TV2AB390J           | AB         |          | C         | Resistor(1/10W 39 ±5%)    | [R156] |
| 141                                  | VRS-TV2AB390J           | AB         |          | C         | Resistor(1/10W 39 ±5%)    | [R157] |
| 142                                  | VRS-TV2AB390J           | AB         |          | C         | Resistor(1/10W 39 ±5%)    | [R158] |
| 143                                  | VRS-TV2AB471J           | AA         |          | C         | Resistor(1/10W 470 ±5%)   | [R159] |
| 144                                  | VRS-TV2AB103J           | AA         |          | C         | Resistor(1/10W 10K ±5%)   | [R160] |
| 145                                  | VRS-TV2AB000J           | AA         |          | C         | Resistor(1/10W 0 ±5%)     | [R162] |
| 146                                  | VRS-TV2AB332J           | AA         |          | C         | Resistor(1/10W 3.3K ±5%)  | [R163] |
| 147                                  | VRS-TV2AB562J           | AA         |          | C         | Resistor(1/10W 5.6K ±5%)  | [R164] |
| 148                                  | VRS-TV2AB390J           | AB         |          | C         | Resistor(1/10W 39 ±5%)    | [R165] |
| 149                                  | VRS-TV2AB562J           | AA         |          | C         | Resistor(1/10W 5.6K ±5%)  | [R166] |
| 150                                  | VRS-TV2AB105J           | AA         |          | C         | Resistor(1/10W 1.0M ±5%)  | [R167] |
| 151                                  | VRS-TV2AB390J           | AB         |          | C         | Resistor(1/10W 39 ±5%)    | [R168] |
| 152                                  | VRS-TV2AB472J           | AA         |          | C         | Resistor(1/10W 4.7K ±5%)  | [R171] |
| 153                                  | VRS-TV2AB472J           | AA         |          | C         | Resistor(1/10W 4.7K ±5%)  | [R172] |
| 154                                  | VRS-TV2AB472J           | AA         |          | C         | Resistor(1/10W 4.7K ±5%)  | [R173] |
| 155                                  | VRS-TV2AB102J           | AA         |          | C         | Resistor(1/10W 1K ±5%)    | [R175] |
| 156                                  | VRS-TV2AB472J           | AA         |          | C         | Resistor(1/10W 4.7K ±5%)  | [R175] |
| 157                                  | VRS-TV2AB472J           | AA         |          | C         | Resistor(1/10W 4.7K ±5%)  | [R176] |
| 158                                  | VRS-TV2AB472J           | AA         |          | C         | Resistor(1/10W 4.7K ±5%)  | [R177] |
| 159                                  | VRS-TV2AB472J           | AA         |          | C         | Resistor(1/10W 4.7K ±5%)  | [R178] |
| 160                                  | VRS-TV2AB472J           | AA         |          | C         | Resistor(1/10W 4.7K ±5%)  | [R179] |
| 161                                  | VRS-TV2AB390J           | AB         |          | C         | Resistor(1/10W 39 ±5%)    | [R180] |
| 162                                  | VRS-TV2AB390J           | AB         |          | C         | Resistor(1/10W 39 ±5%)    | [R181] |
| 163                                  | VRS-TV2AB390J           | AB         |          | C         | Resistor(1/10W 39 ±5%)    | [R182] |
| 164                                  | VRS-TV2AB390J           | AB         |          | C         | Resistor(1/10W 39 ±5%)    | [R183] |
| 165                                  | VRS-TV2AB390J           | AB         |          | C         | Resistor(1/10W 39 ±5%)    | [R184] |
| 166                                  | VRS-TV2AB390J           | AB         |          | C         | Resistor(1/10W 39 ±5%)    | [R185] |
| 167                                  | VRS-TV2AB103J           | AA         |          | C         | Resistor(1/10W 10K ±5%)   | [R187] |
| 168                                  | VRS-TV2AB390J           | AB         |          | C         | Resistor(1/10W 39 ±5%)    | [R189] |
| 169                                  | VRS-TV2AB223J           | AA         |          | C         | Resistor(1/10W 22K ±5%)   | [R190] |
| 170                                  | VRS-TV2AB000J           | AA         |          | C         | Resistor(1/10W 0 ±5%)     | [R192] |
| 171                                  | VRS-TV2AB471J           | AA         |          | C         | Resistor(1/10W 470 ±5%)   | [R193] |
| 172                                  | VRS-TV2AB000J           | AA         |          | C         | Resistor(1/10W 0 ±5%)     | [R195] |
| 173                                  | VRS-TV2AB472J           | AA         |          | C         | Resistor(1/10W 4.7K ±5%)  | [R198] |
| 174                                  | VRS-TV2AB472J           | AA         |          | C         | Resistor(1/10W 4.7K ±5%)  | [R199] |
| 175                                  | VRS-TV2AB000J           | AA         |          | C         | Resistor(1/10W 0 ±5%)     | [R301] |
| 176                                  | VRS-TV2AB331J           | AD         |          | C         | Resistor(1/10W 330 ±5%)   | [R304] |
| 177                                  | VRS-TV2AB331J           | AD         |          | C         | Resistor(1/10W 330 ±5%)   | [R305] |
| 178                                  | VRS-TV2AB103J           | AA         |          | C         | Resistor(1/10W 10K ±5%)   | [R311] |
| 179                                  | VRS-TV2AB103J           | AA         |          | C         | Resistor(1/10W 10K ±5%)   | [R312] |
| 180                                  | RCRSZ7008SCZZ<br>(Unit) | AD         |          | B         | Crystal(16.0MHz)          | [X1]   |
| 901                                  | DCEKC395BAX01           | BV         | N        | E         | Printer PWB unit          |        |
| <b>[14] Operation panel PWB unit</b> |                         |            |          |           |                           |        |
| 901                                  | DCEKP392BAX01           | BL         | N        | E         | Panel PWB unit            |        |
| <b>[15] IrDA PWB unit</b>            |                         |            |          |           |                           |        |
| 1                                    | VCEAPS476AF1C           | AC         |          | C         | Capacitor(16WV 47µF)      | [C1]   |
| 2                                    | VCEAPS476AF1C           | AC         |          | C         | Capacitor(16WV 47µF)      | [C2]   |
| 3                                    | VCKYTV1HF223Z           | AA         |          | C         | Capacitor(50WV 0.022µF)   | [C3]   |
| 4                                    | VCKYTV1HF223Z           | AA         |          | C         | Capacitor(50WV 0.022µF)   | [C4]   |
| 5                                    | VCEAPS476AF1C           | AC         |          | C         | Capacitor(16WV 47µF)      | [C5]   |
| 6                                    | QCNCM2557SC0E           | AE         | N        | C         | Connector                 | [CN1R] |
| 7                                    | VRS-TW2HF000J           | AC         | N        | C         | Resistor(1/2W 0 ±5%)      | [J1]   |
| 8                                    | VRS-TW2HF000J           | AC         | N        | C         | Resistor(1/2W 0 ±5%)      | [J2]   |
| 9                                    | VRS-TW2HF000J           | AC         | N        | C         | Resistor(1/2W 0 ±5%)      | [J3]   |
| 10                                   | VHPGL1F21A/-1           | AN         | N        | B         | Photo transistor(GL1F21A) | [LED1] |
| 11                                   | VHPIS1U21A/-1           | AP         | N        | B         | Photo transistor(IS1U21A) | [LED2] |
| 12                                   | VRS-TW2HF200J           | AC         | N        | C         | Resistor(1/2W 20 ±5%)     | [R1]   |
| 13                                   | VRS-TW2HF200J           | AC         | N        | C         | Resistor(1/2W 20 ±5%)     | [R2]   |
| 14                                   | VRS-TW2HF910J           | AC         | N        | C         | Resistor(1/2W 91 ±5%)     | [R3]   |
| 15                                   | VRS-TW2HF910J           | AC         | N        | C         | Resistor(1/2W 91 ±5%)     | [R4]   |
| 901                                  | DCEKI394BAX01<br>(Unit) | BB         | N        | E         | IrDA PWB unit             |        |

| NO.                               | PARTS CODE    | PRICE RANK | NEW MARK | PART RANK | DESCRIPTION                               |
|-----------------------------------|---------------|------------|----------|-----------|---|
| <b>[16] Power supply PWB unit</b> |               |            |          |           |   |
| 1                                 | 0KY0L551A0010 | AE         |          | C         | Beads inductor(BL02RN1) [BEA1]            |
| 2                                 | 0KY0L551A0010 | AE         |          | C         | Beads inductor(BL02RN1) [BEA101]          |
| 3                                 | 0KY0C245Q1040 | AM         |          | C         | Film capacitor(250WV 0.1μF) [C1]          |
| 4                                 | 0KY0C3M1K2210 | BA         |          | C         | Electrolytic capacitor(200WV 220μF) [C5]  |
| 5                                 | 0KY0C1A9R2210 | AG         |          | C         | Ceramic capacitor(1KWV 220PF) [C8]        |
| 6                                 | 0KY0C251E4720 | AE         |          | C         | Film capacitor(50WV 4700PF) [C9]          |
| 7                                 | 0KY0C251E1030 | AE         |          | C         | Film capacitor(50WV 0.01μF) [C10]         |
| 8                                 | 0KY0C151E1010 | AE         |          | C         | Ceramic capacitor(50WV 100PF) [C11]       |
| 9                                 | 0KY0C176Q3320 | AL         |          | C         | Ceramic capacitor(250WV 3300PF) [C71]     |
| 10                                | 0KY0C374D3310 | AN         |          | C         | Electrolytic capacitor(35WV 330μF) [C101] |
| 11                                | 0KY0C374D3310 | AN         |          | C         | Electrolytic capacitor(35WV 330μF) [C102] |
| 12                                | 0KY0C162E1040 | AF         |          | C         | Ceramic capacitor(50WV 0.1μF) [C110]      |
| 13                                | 0KY0C1A9Y1020 | AG         |          | C         | Ceramic capacitor(500WV 1000PF) [C111]    |
| 14                                | 0KY0K251A0020 | AK         |          | C         | Connector(B2P3-VH) [CN1]                  |
| 15                                | 0KY0K221B0080 | AP         |          | C         | Connector(08R-FJ) [CN101]                 |
| 16                                | 0KY0D251A0020 | AD         |          | B         | Diode(1SS133) [D4]                        |
| 17                                | 0KY0D466A0600 | AE         |          | B         | Zener diode(HZS9B2) [D5]                  |
| 18                                | 0KY0D251A0020 | AD         |          | B         | Diode(1SS133) [D6]                        |
| 19                                | 0KY0D251A0020 | AD         |          | B         | Diode(1SS133) [D7]                        |
| 20                                | 0KY0D157A0060 | AG         |          | B         | Diode(ERA15-06) [D10]                     |
| 21                                | 0KY0D157A0060 | AG         |          | B         | Diode(ERA15-06) [D11]                     |
| 22                                | 0KY0D157A0060 | AG         |          | B         | Diode(ERA15-06) [D12]                     |
| 23                                | 0KY0D157A0060 | AG         |          | B         | Diode(ERA15-06) [D13]                     |
| 24                                | 0KY0D221B0020 | AT         |          | B         | Diode(YG911S2R) [D101]                    |
| 25                                | 0KY0D272A0060 | AP         |          | B         | Diode(2FWJ42) [D102]                      |
| 26                                | 0KY0D461A3200 | AL         |          | B         | Zener diode(HZ-30CP) [D104]               |
| 27                                | 0KY0K758A4R00 | AT         |          | A         | Fuse(4.0A 125V) [F1]                      |
| 28                                | 0KY0MPS029600 | AP         |          | C         | Heat sink [HS1]                           |
| 29                                | 0KY0MPH006900 | AF         |          | C         | Heat sink [HS2]                           |
| 30                                | 0KY1H153A0010 | AP         |          | B         | IC(TA76431) [IC101]                       |
| 31                                | 0KY0H135A5R00 | AV         |          | B         | IC(PQ05RD11) [IC103]                      |
| 32                                | 0KY0L113J1830 | AQ         |          | B         | Line filter [L1]                          |
| 33                                | 0KY0D763A4R00 | AN         |          | B         | Thermistor [NTC1]                         |
| 34                                | 0KY0H719A0010 | AP         |          | B         | Photo coupler(PC817B) [PC1]               |
| 35                                | 0KY0T644A0010 | AV         |          | B         | FET(2SK2972) [Q1]                         |
| 36                                | 0KY0T358A0040 | AG         |          | B         | Transistor(2SC1741AS) [Q2]                |
| 37                                | 0KY0R153U1050 | AC         |          | C         | Resistor(1/4W 1M ±5%) [R1]                |
| 38                                | 0KY0R153U1840 | AC         |          | C         | Resistor(1/4W 180K ±5%) [R2]              |
| 39                                | 0KY0R153U1840 | AC         |          | C         | Resistor(1/4W 180K ±5%) [R3]              |
| 40                                | 0KY0R153U1830 | AC         |          | C         | Resistor(1/4W 18K ±5%) [R5]               |
| 41                                | 0KY0R153U4710 | AC         |          | C         | Resistor(1/4W 470 ±5%) [R6]               |
| 42                                | 0KY0R153U1810 | AC         |          | C         | Resistor(1/4W 180 ±5%) [R7]               |
| 43                                | 0KY0R153U3330 | AB         |          | C         | Resistor(1/4W 33K ±5%) [R8]               |
| 44                                | 0KY0R153U1010 | AC         |          | C         | Resistor(1/4W 100 ±5%) [R9]               |
| 45                                | 0KY0R153U6220 | AC         |          | C         | Resistor(1/4W 6.2K ±5%) [R10]             |
| 46                                | 0KY0R153U9120 | AC         |          | C         | Resistor(1/4W 9.1K ±5%) [R11]             |
| 47                                | 0KY0R153U2030 | AC         |          | C         | Resistor(1/4W 20K ±5%) [R12]              |
| 48                                | 0KY0R153U3910 | AC         |          | C         | Resistor(1/4W 390 ±5%) [R17]              |
| 49                                | 0KY0R153U1000 | AC         |          | C         | Resistor(1/4W 10 ±5%) [R19]               |
| 50                                | 0KY0R153U3920 | AC         |          | C         | Resistor(1/4W 3.9K ±5%) [R102]            |
| 51                                | 0KY0R153U3920 | AC         |          | C         | Resistor(1/4W 3.9K ±5%) [R103]            |
| 52                                | 0KY0R153U3920 | AC         |          | C         | Resistor(1/4W 3.9K ±5%) [R104]            |
| 53                                | 0KY0R153U3920 | AC         |          | C         | Resistor(1/4W 3.9K ±5%) [R105]            |
| 54                                | 0KY0R153U3310 | AC         |          | C         | Resistor(1/4W 330 ±5%) [R110]             |
| 55                                | 0KY0R153U1020 | AB         |          | C         | Resistor(1/4W 1K ±5%) [R111]              |
| 56                                | 0KY0R153U1530 | AC         |          | C         | Resistor(1/4W 15K ±5%) [R112]             |
| 57                                | 0KY0R153U2220 | AC         |          | C         | Resistor(1/4W 2.2K ±5%) [R113]            |
| 58                                | 0KY0R353U1630 | AD         |          | C         | Resistor(1/4W 16K ±1%) [R114]             |
| 59                                | 0KY0M135A0050 | AE         |          | C         | Screw(2x6)                                |
| 60                                | 0KY0L200C0402 | BA         |          | B         | Transformer [T1]                          |
| 61                                | 0KY0R854E5020 | AK         |          | B         | Trimmer potentiometer(1/10W 5K) [VR101]   |
| 62                                | 0KY0D754A2410 | AL         |          | B         | Varistor(ENC241D) [Z1]                    |
|                                   | (Unit)        |            |          |           |   |
| 901                               | RDENT2122AXZZ | BN         | N        | E         | Power supply PWB unit                     |
| <b>[50] Hardware parts</b>        |               |            |          |           |   |
| B1                                | LX-BZ2138XHZZ | AB         |          | C         | Screw(2x6)                                |
| B2                                | LX-BZ2222AXZZ | AC         |          | C         | Screw(3x10)                               |
| B3                                | _____         |            | N        | C         | Screw P-Tight(2x5)                        |
| B4                                | _____         |            | N        | C         | Screw(1x6)                                |
| B5                                | _____         |            | N        | C         | Screw(2x5)                                |
| B6                                | XBPSD30P06K00 | AA         |          | C         | Screw(3x6)                                |
| B7                                | XBPSE30P06K00 | AA         |          | C         | Screw(3x6)                                |
| B8                                | XBPSN40P06K00 | AA         |          | C         | Screw(4x6)                                |
| B9                                | XEBSD30P06000 | AA         |          | C         | Screw(3x6)                                |
| B10                               | XEBSD30P10000 | AA         |          | C         | Screw(3x10)                               |









| PARTS CODE    | No.    | PRICE RANK | NEW MARK | PART RANK |
|---------------|--------|------------|----------|-----------|
| VRS-TV2AB101J | 10-223 | AA         |          | C         |
| "             | 10-224 | AA         |          | C         |
| "             | 10-225 | AA         |          | C         |
| "             | 10-226 | AA         |          | C         |
| "             | 10-227 | AA         |          | C         |
| "             | 10-252 | AA         |          | C         |
| "             | 10-253 | AA         |          | C         |
| "             | 10-254 | AA         |          | C         |
| "             | 10-255 | AA         |          | C         |
| "             | 10-256 | AA         |          | C         |
| "             | 10-257 | AA         |          | C         |
| "             | 10-258 | AA         |          | C         |
| "             | 10-259 | AA         |          | C         |
| "             | 10-284 | AA         |          | C         |
| "             | 10-287 | AA         |          | C         |
| "             | 10-289 | AA         |          | C         |
| "             | 10-303 | AA         |          | C         |
| "             | 10-311 | AA         |          | C         |
| "             | 10-312 | AA         |          | C         |
| "             | 10-314 | AA         |          | C         |
| "             | 10-339 | AA         |          | C         |
| "             | 10-380 | AA         |          | C         |
| "             | 10-384 | AA         |          | C         |
| "             | 10-386 | AA         |          | C         |
| "             | 10-438 | AA         |          | C         |
| "             | 10-492 | AA         |          | C         |
| "             | 10-493 | AA         |          | C         |
| "             | 10-518 | AA         |          | C         |
| "             | 10-519 | AA         |          | C         |
| "             | 10-528 | AA         |          | C         |
| VRS-TV2AB102J | 10-239 | AA         |          | C         |
| "             | 10-249 | AA         |          | C         |
| "             | 10-277 | AA         |          | C         |
| "             | 10-278 | AA         |          | C         |
| "             | 10-288 | AA         |          | C         |
| "             | 10-331 | AA         |          | C         |
| "             | 10-353 | AA         |          | C         |
| "             | 10-396 | AA         |          | C         |
| "             | 10-400 | AA         |          | C         |
| "             | 10-420 | AA         |          | C         |
| "             | 10-421 | AA         |          | C         |
| "             | 13-101 | AA         |          | C         |
| "             | 13-113 | AA         |          | C         |
| "             | 13-155 | AA         |          | C         |
| VRS-TV2AB103J | 10-238 | AA         |          | C         |
| "             | 10-244 | AA         |          | C         |
| "             | 10-247 | AA         |          | C         |
| "             | 10-250 | AA         |          | C         |
| "             | 10-262 | AA         |          | C         |
| "             | 10-279 | AA         |          | C         |
| "             | 10-280 | AA         |          | C         |
| "             | 10-281 | AA         |          | C         |
| "             | 10-282 | AA         |          | C         |
| "             | 10-283 | AA         |          | C         |
| "             | 10-291 | AA         |          | C         |
| "             | 10-297 | AA         |          | C         |
| "             | 10-301 | AA         |          | C         |
| "             | 10-302 | AA         |          | C         |
| "             | 10-304 | AA         |          | C         |
| "             | 10-305 | AA         |          | C         |
| "             | 10-306 | AA         |          | C         |
| "             | 10-307 | AA         |          | C         |
| "             | 10-308 | AA         |          | C         |
| "             | 10-318 | AA         |          | C         |
| "             | 10-320 | AA         |          | C         |
| "             | 10-321 | AA         |          | C         |
| "             | 10-322 | AA         |          | C         |
| "             | 10-323 | AA         |          | C         |
| "             | 10-326 | AA         |          | C         |
| "             | 10-332 | AA         |          | C         |
| "             | 10-333 | AA         |          | C         |
| "             | 10-334 | AA         |          | C         |
| "             | 10-337 | AA         |          | C         |
| "             | 10-338 | AA         |          | C         |
| "             | 10-341 | AA         |          | C         |
| "             | 10-344 | AA         |          | C         |
| "             | 10-345 | AA         |          | C         |
| "             | 10-347 | AA         |          | C         |
| "             | 10-349 | AA         |          | C         |
| "             | 10-352 | AA         |          | C         |

| PARTS CODE    | No.    | PRICE RANK | NEW MARK | PART RANK |
|---------------|--------|------------|----------|-----------|
| VRS-TV2AB103J | 10-354 | AA         |          | C         |
| "             | 10-362 | AA         |          | C         |
| "             | 10-365 | AA         |          | C         |
| "             | 10-372 | AA         |          | C         |
| "             | 10-373 | AA         |          | C         |
| "             | 10-374 | AA         |          | C         |
| "             | 10-375 | AA         |          | C         |
| "             | 10-377 | AA         |          | C         |
| "             | 10-378 | AA         |          | C         |
| "             | 10-379 | AA         |          | C         |
| "             | 10-381 | AA         |          | C         |
| "             | 10-382 | AA         |          | C         |
| "             | 10-383 | AA         |          | C         |
| "             | 10-385 | AA         |          | C         |
| "             | 10-390 | AA         |          | C         |
| "             | 10-391 | AA         |          | C         |
| "             | 10-392 | AA         |          | C         |
| "             | 10-393 | AA         |          | C         |
| "             | 10-394 | AA         |          | C         |
| "             | 10-395 | AA         |          | C         |
| "             | 10-397 | AA         |          | C         |
| "             | 10-399 | AA         |          | C         |
| "             | 10-414 | AA         |          | C         |
| "             | 10-415 | AA         |          | C         |
| "             | 10-416 | AA         |          | C         |
| "             | 10-419 | AA         |          | C         |
| "             | 10-425 | AA         |          | C         |
| "             | 10-433 | AA         |          | C         |
| "             | 10-459 | AA         |          | C         |
| "             | 10-522 | AA         |          | C         |
| "             | 10-523 | AA         |          | C         |
| "             | 10-524 | AA         |          | C         |
| "             | 10-525 | AA         |          | C         |
| "             | 10-526 | AA         |          | C         |
| "             | 12-14  | AA         |          | C         |
| "             | 12-15  | AA         |          | C         |
| "             | 12-18  | AA         |          | C         |
| "             | 12-21  | AA         |          | C         |
| "             | 12-22  | AA         |          | C         |
| "             | 12-24  | AA         |          | C         |
| "             | 13-119 | AA         |          | C         |
| "             | 13-132 | AA         |          | C         |
| "             | 13-144 | AA         |          | C         |
| "             | 13-167 | AA         |          | C         |
| "             | 13-178 | AA         |          | C         |
| "             | 13-179 | AA         |          | C         |
| VRS-TV2AB104J | 10-418 | AA         |          | C         |
| "             | 12-29  | AA         |          | C         |
| VRS-TV2AB105J | 10-286 | AA         |          | C         |
| "             | 10-330 | AA         |          | C         |
| "             | 13-150 | AA         |          | C         |
| VRS-TV2AB122J | 10-495 | AA         |          | C         |
| "             | 10-496 | AA         |          | C         |
| "             | 10-497 | AA         |          | C         |
| "             | 10-498 | AA         |          | C         |
| "             | 10-499 | AA         |          | C         |
| "             | 10-500 | AA         |          | C         |
| "             | 10-501 | AA         |          | C         |
| "             | 10-502 | AA         |          | C         |
| "             | 10-503 | AA         |          | C         |
| "             | 10-504 | AA         |          | C         |
| "             | 10-505 | AA         |          | C         |
| "             | 10-506 | AA         |          | C         |
| "             | 10-507 | AA         |          | C         |
| "             | 10-508 | AA         |          | C         |
| "             | 10-509 | AA         |          | C         |
| "             | 10-510 | AA         |          | C         |
| "             | 10-511 | AA         |          | C         |
| "             | 10-512 | AA         |          | C         |
| VRS-TV2AB124J | 12-23  | AA         |          | C         |
| VRS-TV2AB133J | 10-360 | AA         |          | C         |
| VRS-TV2AB151J | 12-27  | AA         |          | C         |
| "             | 12-28  | AA         |          | C         |
| VRS-TV2AB152J | 10-358 | AB         |          | C         |
| "             | 13-104 | AB         |          | C         |
| "             | 13-106 | AB         |          | C         |
| "             | 13-108 | AB         |          | C         |
| "             | 13-111 | AB         |          | C         |
| VRS-TV2AB154J | 10-417 | AB         |          | C         |
| VRS-TV2AB183J | 10-295 | AD         |          | C         |

| PARTS CODE    | No.    | PRICE RANK | NEW MARK | PART RANK |
|---------------|--------|------------|----------|-----------|
| VRS-TV2AB201J | 10-285 | AA         |          | C         |
| VRS-TV2AB203J | 10-248 | AA         |          | C         |
| "             | 10-251 | AA         |          | C         |
| "             | 10-276 | AA         |          | C         |
| VRS-TV2AB222J | 12-17  | AA         |          | C         |
| "             | 12-19  | AA         |          | C         |
| "             | 13-105 | AA         |          | C         |
| "             | 13-107 | AA         |          | C         |
| "             | 13-109 | AA         |          | C         |
| "             | 13-110 | AA         |          | C         |
| VRS-TV2AB223J | 13-99  | AA         |          | C         |
| "             | 13-123 | AA         |          | C         |
| "             | 13-169 | AA         |          | C         |
| VRS-TV2AB271J | 10-228 | AA         |          | C         |
| "             | 10-229 | AA         |          | C         |
| "             | 10-260 | AA         |          | C         |
| "             | 10-261 | AA         |          | C         |
| "             | 10-263 | AA         |          | C         |
| "             | 10-265 | AA         |          | C         |
| "             | 10-266 | AA         |          | C         |
| "             | 10-267 | AA         |          | C         |
| "             | 10-269 | AA         |          | C         |
| "             | 10-290 | AA         |          | C         |
| "             | 10-348 | AA         |          | C         |
| "             | 10-357 | AA         |          | C         |
| "             | 10-401 | AA         |          | C         |
| "             | 10-402 | AA         |          | C         |
| "             | 10-423 | AA         |          | C         |
| "             | 10-424 | AA         |          | C         |
| "             | 10-434 | AA         |          | C         |
| "             | 10-435 | AA         |          | C         |
| VRS-TV2AB302J | 10-264 | AA         |          | C         |
| "             | 10-270 | AA         |          | C         |
| "             | 10-271 | AA         |          | C         |
| "             | 10-296 | AA         |          | C         |
| "             | 10-300 | AA         |          | C         |
| "             | 10-319 | AA         |          | C         |
| "             | 10-329 | AA         |          | C         |
| VRS-TV2AB330J | 10-218 | AD         |          | C         |
| "             | 10-245 | AD         |          | C         |
| "             | 10-246 | AD         |          | C         |
| "             | 10-436 | AD         |          | C         |
| "             | 10-437 | AD         |          | C         |
| "             | 10-439 | AD         |          | C         |
| "             | 10-440 | AD         |          | C         |
| "             | 10-441 | AD         |          | C         |
| "             | 10-442 | AD         |          | C         |
| "             | 10-443 | AD         |          | C         |
| "             | 10-444 | AD         |          | C         |
| "             | 10-445 | AD         |          | C         |
| "             | 10-446 | AD         |          | C         |
| "             | 10-447 | AD         |          | C         |
| "             | 10-448 | AD         |          | C         |
| "             | 10-462 | AD         |          | C         |
| "             | 10-463 | AD         |          | C         |
| "             | 10-464 | AD         |          | C         |
| "             | 10-465 | AD         |          | C         |
| "             | 10-484 | AD         |          | C         |
| "             | 10-485 | AD         |          | C         |
| "             | 10-486 | AD         |          | C         |
| "             | 10-487 | AD         |          | C         |
| "             | 10-488 | AD         |          | C         |
| "             | 10-489 | AD         |          | C         |
| "             | 10-490 | AD         |          | C         |
| "             | 10-491 | AD         |          | C         |
| "             | 10-514 | AD         |          | C         |
| "             | 10-515 | AD         |          | C         |
| "             | 10-516 | AD         |          | C         |
| "             | 10-517 | AD         |          | C         |
| VRS-TV2AB331J | 13-176 | AD         |          | C         |
| "             | 13-177 | AD         |          | C         |
| VRS-TV2AB332J | 10-316 | AA         |          | C         |
| "             | 10-363 | AA         |          | C         |
| "             | 12-30  | AA         |          | C         |
| "             | 13-146 | AA         |          | C         |
| VRS-TV2AB333J | 10-294 | AD         |          | C         |
| "             | 10-324 | AD         |          | C         |
| "             | 10-325 | AD         |          | C         |
| "             | 10-340 | AD         |          | C         |
| "             | 10-350 | AD         |          | C         |

| PARTS CODE    | No.    | PRICE RANK | NEW MARK | PART RANK |
|---------------|--------|------------|----------|-----------|
| VRS-TV2AB333J | 10-407 | AD         |          | C         |
| VRS-TV2AB390J | 10-521 | AB         |          | C         |
| "             | 13-100 | AB         |          | C         |
| "             | 13-114 | AB         |          | C         |
| "             | 13-118 | AB         |          | C         |
| "             | 13-120 | AB         |          | C         |
| "             | 13-124 | AB         |          | C         |
| "             | 13-127 | AB         |          | C         |
| "             | 13-130 | AB         |          | C         |
| "             | 13-131 | AB         |          | C         |
| "             | 13-138 | AB         |          | C         |
| "             | 13-140 | AB         |          | C         |
| "             | 13-141 | AB         |          | C         |
| "             | 13-142 | AB         |          | C         |
| "             | 13-148 | AB         |          | C         |
| "             | 13-151 | AB         |          | C         |
| "             | 13-161 | AB         |          | C         |
| "             | 13-162 | AB         |          | C         |
| "             | 13-163 | AB         |          | C         |
| "             | 13-164 | AB         |          | C         |
| "             | 13-165 | AB         |          | C         |
| "             | 13-166 | AB         |          | C         |
| "             | 13-168 | AB         |          | C         |
| VRS-TV2AB434J | 12-16  | AA         |          | C         |
| "             | 12-20  | AA         |          | C         |
| "             | 12-25  | AA         |          | C         |
| VRS-TV2AB470J | 10-369 | AA         |          | C         |
| "             | 10-370 | AA         |          | C         |
| "             | 10-466 | AA         |          | C         |
| "             | 10-467 | AA         |          | C         |
| "             | 10-468 | AA         |          | C         |
| "             | 10-469 | AA         |          | C         |
| "             | 10-470 | AA         |          | C         |
| "             | 10-471 | AA         |          | C         |
| "             | 10-472 | AA         |          | C         |
| "             | 10-473 | AA         |          | C         |
| "             | 10-474 | AA         |          | C         |
| "             | 10-475 | AA         |          | C         |
| "             | 10-476 | AA         |          | C         |
| "             | 10-477 | AA         |          | C         |
| "             | 10-478 | AA         |          | C         |
| "             | 10-479 | AA         |          | C         |
| "             | 10-480 | AA         |          | C         |
| "             | 10-481 | AA         |          | C         |
| "             | 10-482 | AA         |          | C         |
| VRS-TV2AB471J | 10-230 | AA         |          | C         |
| "             | 10-231 | AA         |          | C         |
| "             | 10-232 | AA         |          | C         |
| "             | 10-233 | AA         |          | C         |
| "             | 10-234 | AA         |          | C         |
| "             | 10-313 | AA         |          | C         |
| "             | 10-346 | AA         |          | C         |
| "             | 10-351 | AA         |          | C         |
| "             | 10-398 | AA         |          | C         |
| "             | 10-426 | AA         |          | C         |
| "             | 10-450 | AA         |          | C         |
| "             | 13-97  | AA         |          | C         |
| "             | 13-98  | AA         |          | C         |
| "             | 13-121 | AA         |          | C         |
| "             | 13-122 | AA         |          | C         |
| "             | 13-143 | AA         |          | C         |
| "             | 13-171 | AA         |          | C         |
| VRS-TV2AB472J | 10-355 | AA         |          | C         |
| "             | 10-366 | AA         |          | C         |
| "             | 13-112 | AA         |          | C         |
| "             | 13-115 | AA         |          | C         |
| "             | 13-116 | AA         |          | C         |
| "             | 13-117 | AA         |          | C         |
| "             | 13-125 | AA         |          | C         |
| "             | 13-126 | AA         |          | C         |
| "             | 13-128 | AA         |          | C         |
| "             | 13-129 | AA         |          | C         |
| "             | 13-133 | AA         |          | C         |
| "             | 13-136 | AA         |          | C         |
| "             | 13-137 | AA         |          | C         |
| "             | 13-139 | AA         |          | C         |
| "             | 13-152 | AA         |          | C         |
| "             | 13-153 | AA         |          | C         |
| "             | 13-154 | AA         |          | C         |
| "             | 13-156 | AA         |          | C         |

| PARTS CODE    | No.    | PRICE RANK | NEW MARK | PART RANK |
|---------------|--------|------------|----------|-----------|
| VRS-TV2AB472J | 13-157 | AA         |          | C         |
| "             | 13-158 | AA         |          | C         |
| "             | 13-159 | AA         |          | C         |
| "             | 13-160 | AA         |          | C         |
| "             | 13-173 | AA         |          | C         |
| "             | 13-174 | AA         |          | C         |
| VRS-TV2AB473J | 10-359 | AA         |          | C         |
| "             | 10-432 | AA         |          | C         |
| "             | 12-26  | AA         |          | C         |
| VRS-TV2AB562J | 10-293 | AA         |          | C         |
| "             | 10-483 | AA         |          | C         |
| "             | 13-147 | AA         |          | C         |
| "             | 13-149 | AA         |          | C         |
| VRS-TV2AB563F | 13-102 | AB         | N        | C         |
| "             | 13-103 | AB         | N        | C         |
| VRS-TV2AB623J | 10-298 | AA         |          | C         |
| VRS-TV2AB680J | 10-205 | AA         |          | C         |
| "             | 10-206 | AA         |          | C         |
| VRS-TV2AB681J | 10-431 | AA         |          | C         |
| VRS-TV2AB682J | 13-134 | AB         |          | C         |
| "             | 13-135 | AB         |          | C         |
| VRS-TW2HF000J | 15-7   | AC         | N        | C         |
| "             | 15-8   | AC         | N        | C         |
| "             | 15-9   | AC         | N        | C         |
| VRS-TW2HF200J | 15-12  | AC         | N        | C         |
| "             | 15-13  | AC         | N        | C         |
| VRS-TW2HF910J | 15-14  | AC         | N        | C         |
| "             | 15-15  | AC         | N        | C         |
| VRSTS2AD1742F | 10-408 | AA         |          | C         |
| VRSTS2AD4752F | 10-364 | AA         |          | C         |
| VRSTS2AD8662F | 10-328 | AA         |          | C         |
| "             | 10-361 | AA         |          | C         |
| VSDTA114EK/-1 | 10-212 | AB         |          | B         |
| "             | 13-85  | AB         |          | B         |
| "             | 13-86  | AB         |          | B         |
| "             | 13-87  | AB         |          | B         |
| "             | 13-88  | AB         |          | B         |
| VSDTC114EK/-1 | 10-213 | AB         |          | B         |
| "             | 10-214 | AB         |          | B         |
| "             | 10-215 | AB         |          | B         |
| VSDTC114ES/-1 | 11-41  | AB         |          | B         |
| "             | 11-43  | AB         |          | B         |
| VS2SA1037KR-1 | 10-216 | AB         |          | B         |
| VS2SB1261K/-1 | 13-83  | AE         |          | B         |
| VS2SC1815GR-1 | 11-42  | AB         |          | B         |
| VS2SC2412KR-1 | 12-13  | AD         |          | B         |
| "             | 13-84  | AD         |          | B         |
| [X]           |        |            |          |           |
| XBPSD30P06K00 | 50-B6  | AA         |          | C         |
| XBPSE30P06K00 | 50-B7  | AA         |          | C         |
| XBPSN40P06K00 | 50-B8  | AA         |          | C         |
| XEBSD30P06000 | 50-B9  | AA         |          | C         |
| XEBSD30P10000 | 50-B10 | AA         |          | C         |
| XEBSE30P12000 | 50-B11 | AA         |          | C         |
| XHBSD30P04000 | 50-B12 | AA         |          | C         |
| XHBSE30P06000 | 50-B13 | AA         |          | C         |
| XUBSD20P06000 | 50-B14 | AA         |          | C         |
| [O]           |        |            |          |           |
| OKY0C1A9R2210 | 16-5   | AG         |          | C         |
| OKY0C1A9Y1020 | 16-13  | AG         |          | C         |
| OKY0C151E1010 | 16-8   | AE         |          | C         |
| OKY0C162E1040 | 16-12  | AF         |          | C         |
| OKY0C176Q3320 | 16-9   | AL         |          | C         |
| OKY0C245Q1040 | 16-3   | AM         |          | C         |
| OKY0C251E1030 | 16-7   | AE         |          | C         |
| OKY0C251E4720 | 16-6   | AE         |          | C         |
| OKY0C3M1K2210 | 16-4   | BA         |          | C         |
| OKY0C374D3310 | 16-10  | AN         |          | C         |
| "             | 16-11  | AN         |          | C         |
| OKY0D157A0060 | 16-20  | AG         |          | B         |
| "             | 16-21  | AG         |          | B         |
| "             | 16-22  | AG         |          | B         |
| "             | 16-23  | AG         |          | B         |
| OKY0D221B0020 | 16-24  | AT         |          | B         |
| OKY0D251A0020 | 16-16  | AD         |          | B         |
| "             | 16-18  | AD         |          | B         |
| "             | 16-19  | AD         |          | B         |
| OKY0D272A0060 | 16-25  | AP         |          | B         |
| OKY0D461A3200 | 16-26  | AL         |          | B         |
| OKY0D466A0600 | 16-17  | AE         |          | B         |

| PARTS CODE    | No.   | PRICE RANK | NEW MARK | PART RANK |
|---------------|-------|------------|----------|-----------|
| OKY0D754A2410 | 16-62 | AL         |          | B         |
| OKY0D763A4R00 | 16-33 | AN         |          | B         |
| OKY0H135A5R00 | 16-31 | AV         |          | B         |
| OKY0H719A0010 | 16-34 | AP         |          | B         |
| OKY0K221B0080 | 16-15 | AP         |          | C         |
| OKY0K251A0020 | 16-14 | AK         |          | C         |
| OKY0K758A4R00 | 16-27 | AT         |          | A         |
| OKY0L113J1830 | 16-32 | AQ         |          | B         |
| OKY0L200C0402 | 16-60 | BA         |          | B         |
| OKY0L551A0010 | 16-1  | AE         |          | C         |
| "             | 16-2  | AE         |          | C         |
| OKY0MPH006900 | 16-29 | AF         |          | C         |
| OKY0MPS029600 | 16-28 | AP         |          | C         |
| OKY0M135A0050 | 16-59 | AE         |          | C         |
| OKY0R153U1000 | 16-49 | AC         |          | C         |
| OKY0R153U1010 | 16-44 | AC         |          | C         |
| OKY0R153U1020 | 16-55 | AB         |          | C         |
| OKY0R153U1050 | 16-37 | AC         |          | C         |
| OKY0R153U1530 | 16-56 | AC         |          | C         |
| OKY0R153U1810 | 16-42 | AC         |          | C         |
| OKY0R153U1830 | 16-40 | AC         |          | C         |
| OKY0R153U1840 | 16-38 | AC         |          | C         |
| "             | 16-39 | AC         |          | C         |
| OKY0R153U2030 | 16-47 | AC         |          | C         |
| OKY0R153U2220 | 16-57 | AC         |          | C         |
| OKY0R153U3310 | 16-54 | AC         |          | C         |
| OKY0R153U3330 | 16-43 | AB         |          | C         |
| OKY0R153U3910 | 16-48 | AC         |          | C         |
| OKY0R153U3920 | 16-50 | AC         |          | C         |
| "             | 16-51 | AC         |          | C         |
| "             | 16-52 | AC         |          | C         |
| "             | 16-53 | AC         |          | C         |
| OKY0R153U4710 | 16-41 | AC         |          | C         |
| OKY0R153U6220 | 16-45 | AC         |          | C         |
| OKY0R153U9120 | 16-46 | AC         |          | C         |
| OKY0R353U1630 | 16-58 | AD         |          | C         |
| OKY0R854E5020 | 16-61 | AK         |          | B         |
| OKY0T358A0040 | 16-36 | AG         |          | B         |
| OKY0T644A0010 | 16-35 | AV         |          | B         |
| OKY1H153A0010 | 16-30 | AP         |          | B         |
| OMIMMM7E24MM0 | 8-901 |            | N        | E         |
| OMIOPM300356/ | 8-902 |            | N        | C         |
| OMIOPSA00195/ | 8-903 |            | N        | E         |
| OMIOPM100090/ | 8-904 |            | N        | E         |
| OMIOPSA00100/ | 8-905 |            | N        | E         |



**M E M O**

# SHARP

**COPYRIGHT © 1998 BY SHARP CORPORATION**

**ALL RIGHTS RESERVED.**

No part of this publication may be reproduced, stored in a retrieval system, or transmitted in any form or by any means, electronic, mechanical, photocopying, recording, or otherwise, without prior written permission of the publisher.

**SHARP CORPORATION**  
**Communication Systems Group**  
**Quality & Reliability Control Center**  
**Higashihiroshima, Hiroshima 739-0192, Japan**  
**Printed in U.S.A.**

**A9805-2256SS•IS•M**